

- *Index*
- *Bridges & Posts*
- *Columns*
- *Column Corbel Shakers*
- *Grottos*
- *Pilaster Columns*
- *Pilasters*
- *Island Tables*
- *Notes*

Modular Decorative Items

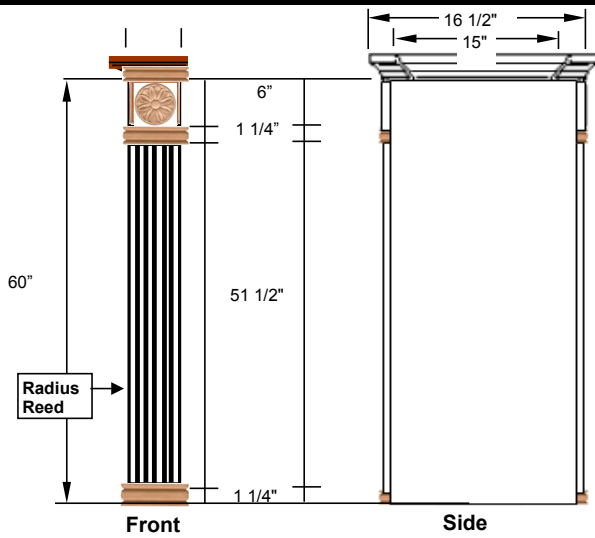
Page Location	Item Type	Nomenclature
197	3" Column	COL
197	3" Column - 24" Deep	C03
197	6" Column	COL
197	6" Column - 24" Deep	C06
198	Column Corbel Grape - 24" Deep	CCG
198	Column with Grape Corbel	COL-COR
198	Column with Pullout	COL-PO
198	Column with Pullout - 24" Deep	CP
199	Column with Scroll Corbel	CCR
200-201	Column with Shaker Detail	PCCS
210-211	Island Tables	Custom
196	Panel 15x60 for POST6X60	PAN1560
207	Pilaster Column - Reeded Leg (Double Sided)	PIL
206	Pilaster Column - Reeded Leg (Single Sided)	PIL
196	Post for Peninsula	POST6x60
208	Shaker Pilasters	PS / PES
210	Transitional Pilasters	PT / PET
196	Unistrut for POST	UNISTRUT

Modular Decorative Items : Bridges & Posts

Bridge

List
Price

Post



POST6X60 1804

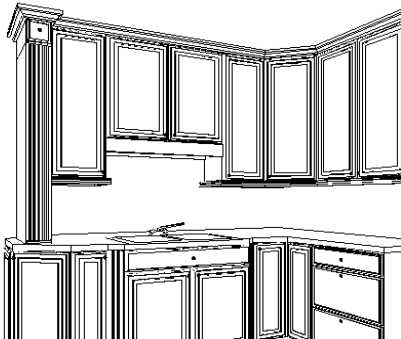
When you order the POST6X60, the PAN1560 will automatically be added as a separate line item by the order entry program. This is shipped separately from the POST.

**The inner door (DR1518) is sold separately. This is applied to the flush side of the POST.

List Prices for PAN1560

	CHS
D	235
E	235
F	235
G	248
H	277
J	309
K	333
L	333

Bridge with 6" Post (Used in Peninsula Applications)

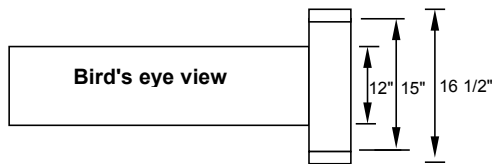


With Inner Door	Without Inner Door
POST6X60	POST6X60
UNISTRUT	UNISTRUT
PAN1560	PAN1560
DR1518	

The UNISTRUT is a wood support that is screwed into the top of all of the cabinets in the bridge - this is done by the installer.

The PAN1560 is a tall decorative door panel that is included in POST6x60 price but is shipped loose and must be installed on the recessed side of the POST.

The DR1518 is a loose door that can be ordered separately if customer prefers and is attached to the FLUSH side of the POST.



Roundell = 1 1/8" Deep
Plinth = 1 1/4" Deep
Flat Reed Filler = 3/4" Deep

The POST6x60 is to be used at bridge end to support wall cabinets on peninsula. The UNISTRUT must be ordered for additional strength.

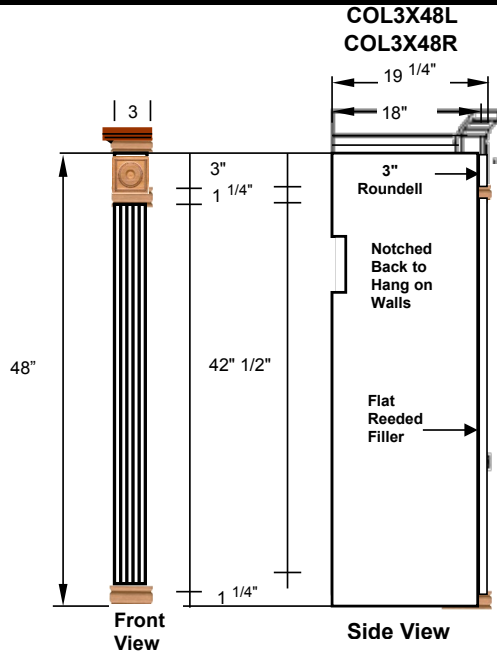
5/8" recessed on one side and flush on the other side. Apply PAN1560 to recessed side.

The POST6x60 is finished on the front and back; recessed side is not finished. Flush side is finished.

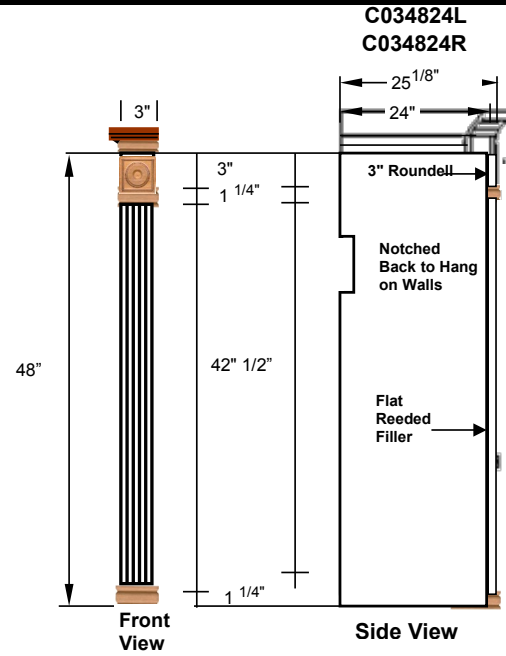
*In this Example we are giving the depth from the Roundells

Modular Decorative Items : Columns - 48" Height

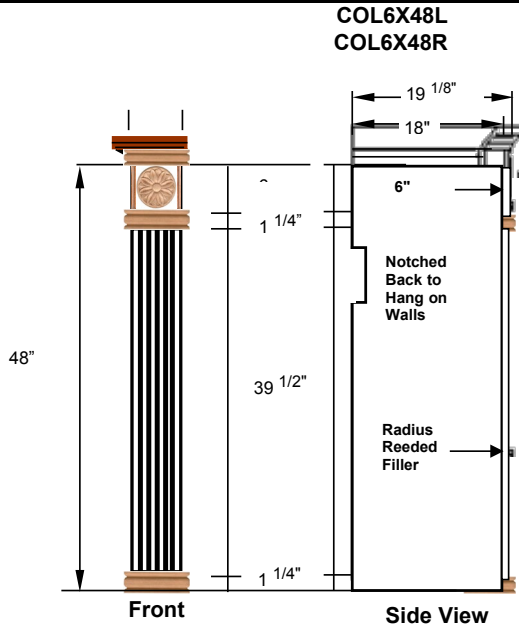
3" x 48 Column - 18" Deep



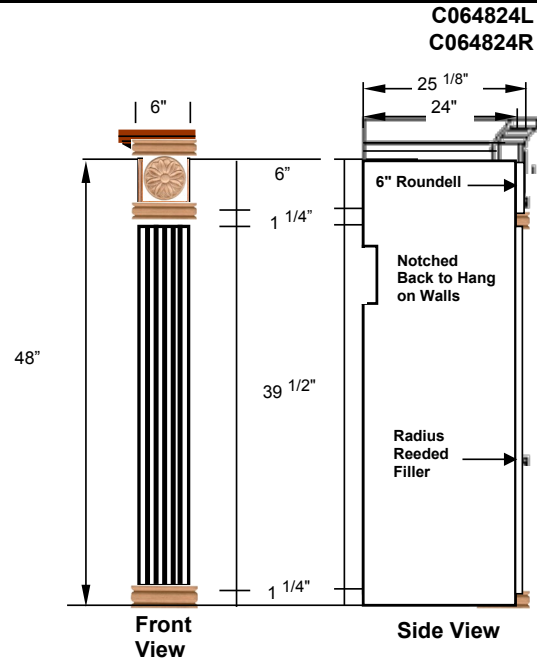
3" x 48 Column - 24" Deep



6" x 48 Column - 18" Deep



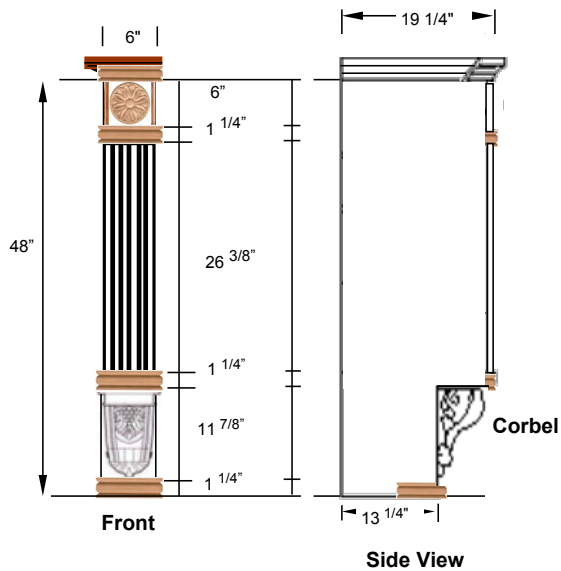
6" x 48 Column - 24" Deep



Modular Decorative Items : Columns - 48" Height

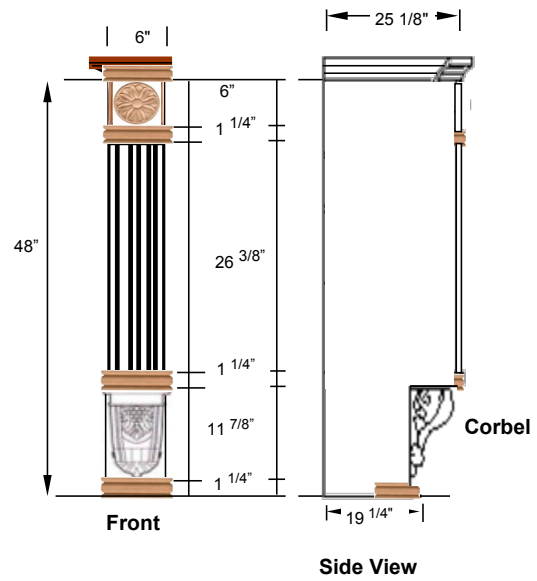
6"x48" Column with Grape Corbel - 18" Deep

COL-COR6X48L
COL-COR6X48R



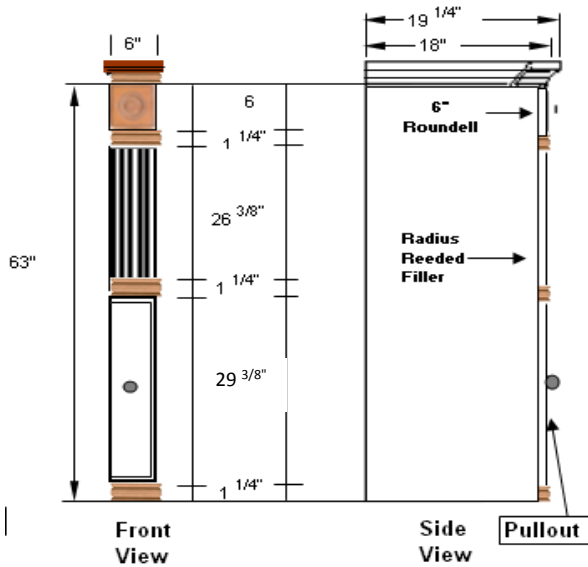
6"x48" Column with Grape Corbel - 24" Deep

CCG064824L
CCG064824R



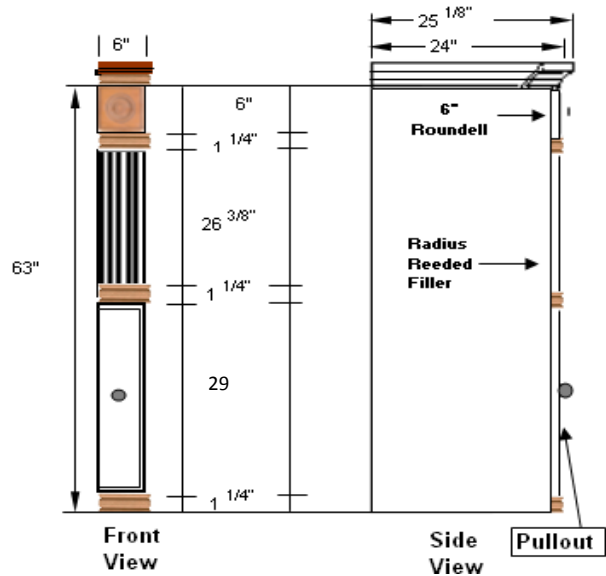
6"x 63" Column w/Pullout Spice Drawer - 18" Deep

COL-PO6X63L
COL-PO6X63R



6"x 63" Column w/Pullout Spice Drawer - 24" Deep

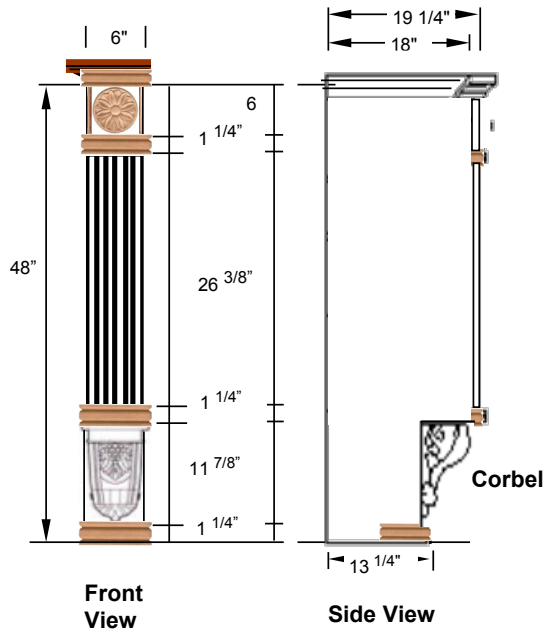
CP066324L
CP066324R



Modular Decorative Items : Columns - With Scroll Corbel

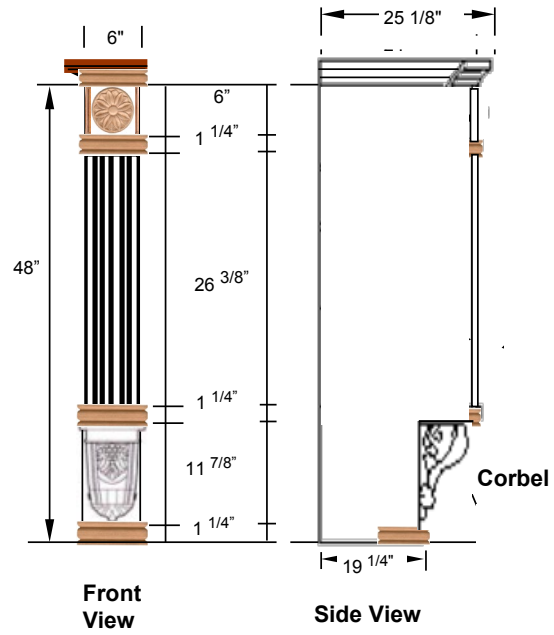
6"x48" Column with Scroll Corbel - 18" Deep

CCR064818L
CCR064818R



6"x48" Column with Scroll Corbel - 24" Deep

CCR064824L
CCR064824R



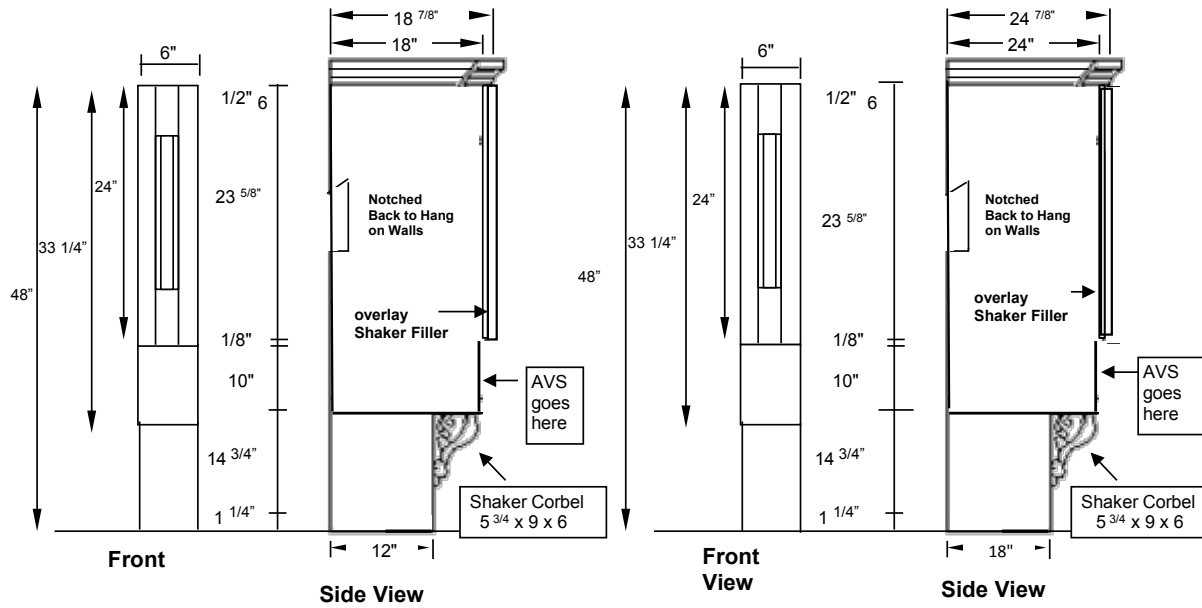
Modular Decorative Items : Column Corbel Shakers

3" & 6"x48" & 36" Column Corbel Shaker - 18" Depth

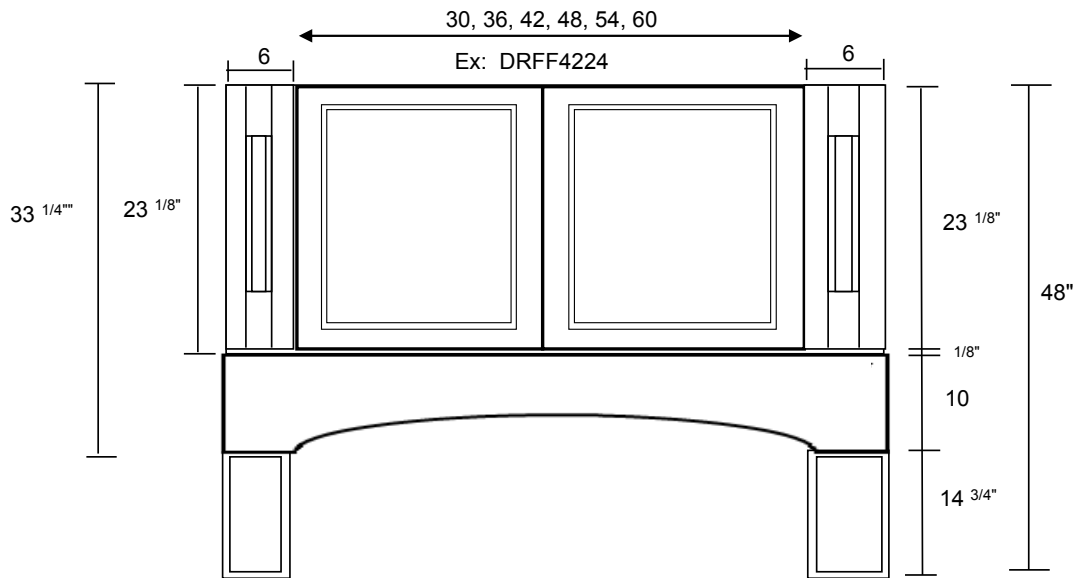
3" & 6"x48" & 36" Column Corbel Shaker - 24" Depth

PCCS063618L
 PCCS063618R
 PCCS064818L
 PCCS064818R

PCCS063624L
 PCCS063624R
 PCCS064824L
 PCCS064824R



FRONT VIEW OF PCCS064818L/R OR PCCS064824L/R WITH DRFFS AND VALANCE



Note: The front frame is 24" high and the Arch Valance runs across both columns and is set 1/8" below DRFF and overlay fillers

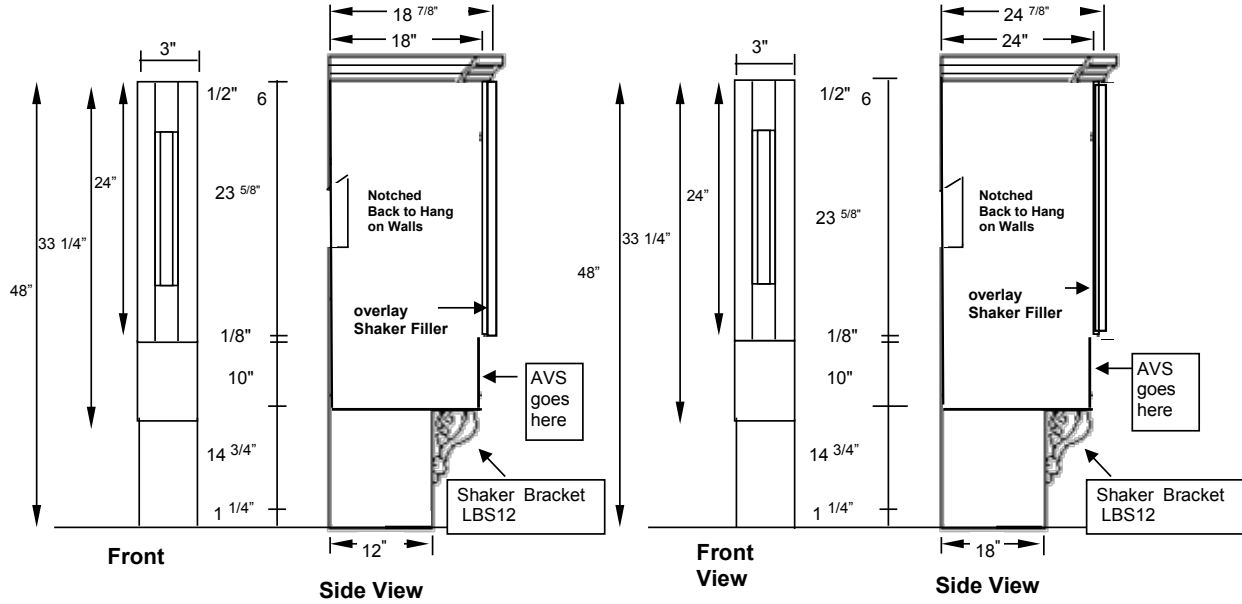
Modular Decorative Items : Column Corbel Shakers

3"x48" Column Corbel Shaker - 18" Depth

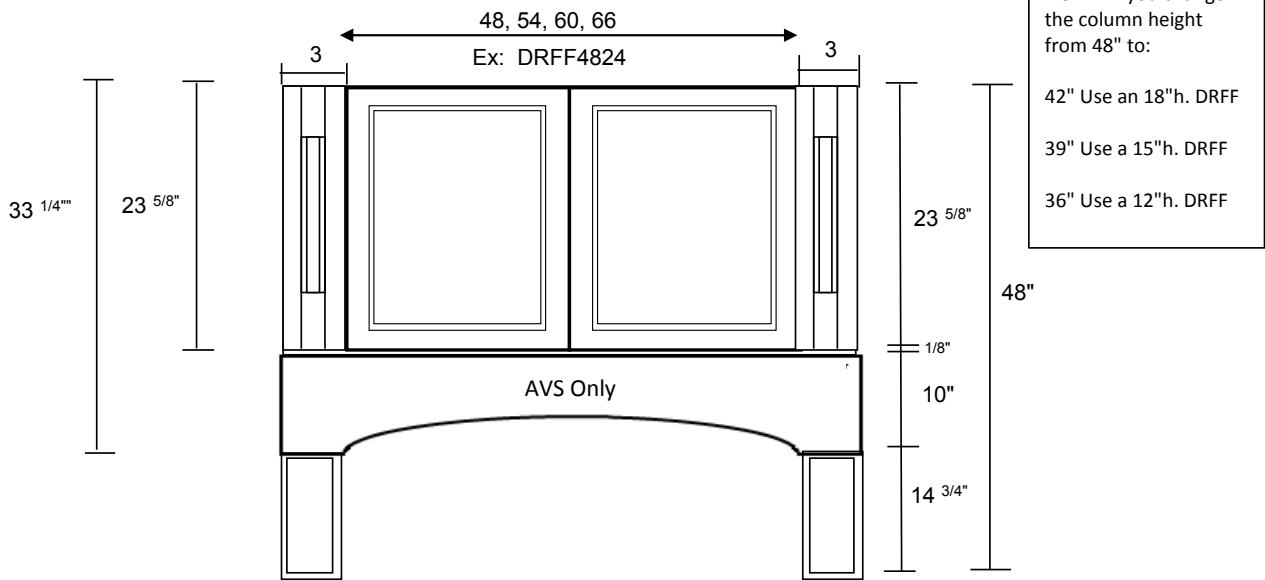
PCCS034818L
PCCS034818R

3" x48" Column Corbel Shaker - 24" Depth

PCCS034824L
PCCS034824R



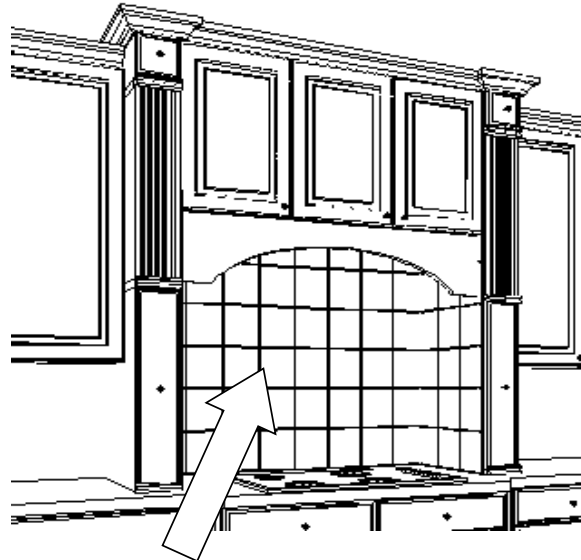
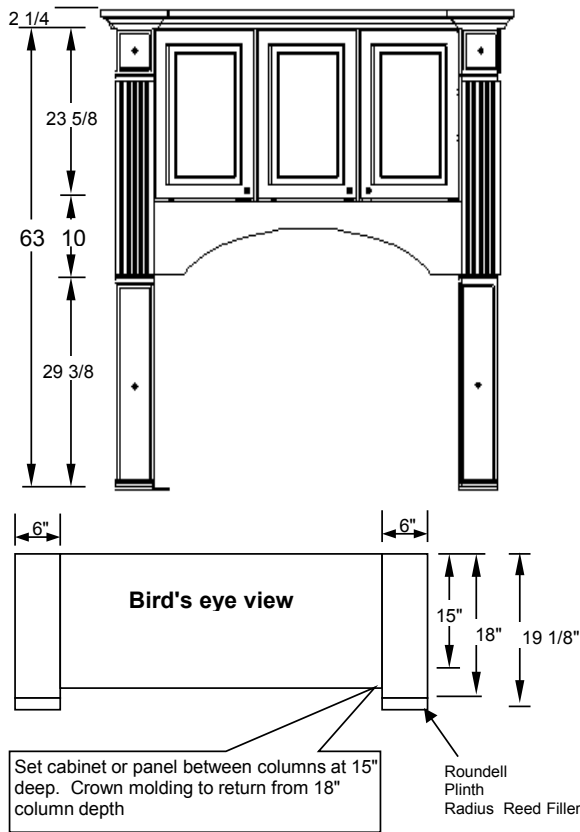
FRONT VIEW OF PCCS034818L/R OR PCCS034824L/R WITH DRFFS AND VALANCE



Note: The front frame is 24" high and the Arch Valance runs across both columns and is set 1/8" below DRFF and overlay fillers

Notch (14 3/4") and Valance (10") Can Not Be Changed

63" Tall Grotto with Pullouts & 6" Wide Columns



Sides and back of Grotto MUST be tiled.
 **MUST back columns off a minimum of 6" to left and right of cooking surface.
 **Please refer to cooktop/vent hood specifications for minimum clearances.

Roundell = 1 1/8" Deep
 Plinth = 1 1/4" Deep
 Radius Reed Filler = 1 1/16" Deep
 **In this Example we are giving the depth from the Roundell

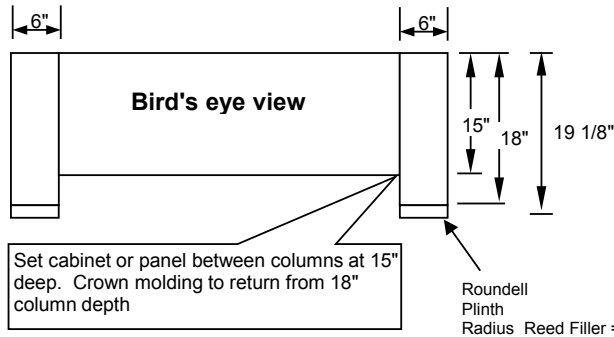
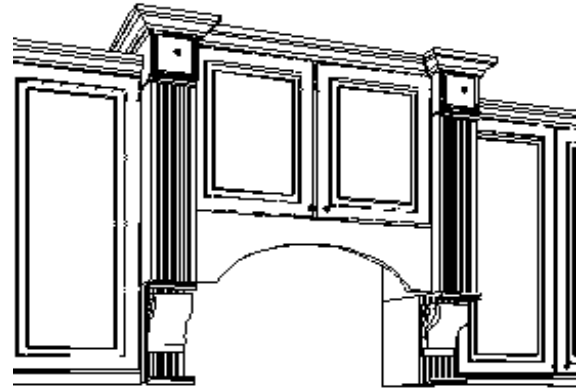
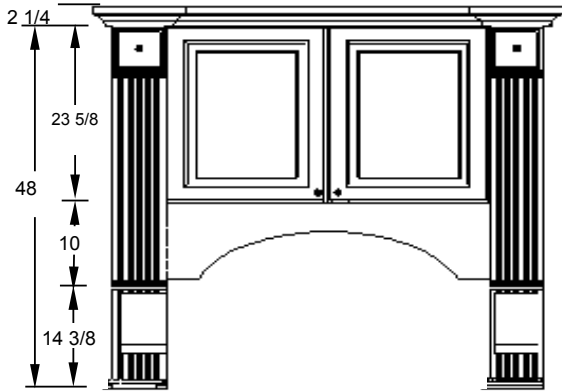
6" Grotto with Pullout : (Cooktop with Decorative Valance)

Cooktop/Range	30"	36"	42"	48"
Column Left	COL-PO6X63L	COL-PO6X63L	COL-PO6X63L	COL-PO6X63L
Column Right	COL-PO6X63R	COL-PO6X63R	COL-PO6X63R	COL-PO6X63R
Decorative-Arch	ARDV4210	ARDV4810	ARDV5410	ARDV6010
Frame w/Doors	DRFF4224	DRFF4824	DRFF5424	DRFF6024

6" Grotto with Pullout : (Cooktop with Arch Valance with Mantel)

Cooktop/Range	30"	36"	42"	48"
Column Left	COL-PO6X63L	COL-PO6X63L	COL-PO6X63L	COL-PO6X63L
Column Right	COL-PO6X63R	COL-PO6X63R	COL-PO6X63R	COL-PO6X63R
Arch Valance	AV4210	AV4810	AV5410	AV6010
Mantel	MANTEL39	MANTEL45	MANTEL51	MANTEL57
Frame w/Doors	DRFF4224	DRFF4824	DRFF5424	DRFF6024

48" Tall Grotto with Corbels & 6" Wide Columns



BTBM8 and bottom of Column must match height
Arch will be 30 7/8" above top
Set Column 16 1/2" above top.

**Please refer to cooktop/vent hood specifications for minimum clearances.

**In this Example we are giving the depth from the Roundell

6"x48" CORBEL - Cooktop with Decorative Valance

Cooktop/Range	30"	36"	42"	48"
Column Left	COL-COR6X48L	COL-COR6X48L	COL-COR6X48L	COL-COR6X48L
Column Right	COL-COR6X48R	COL-COR6X48R	COL-COR6X48R	COL-COR6X48R
Decorative-Arch	ARDV3010	ARDV3610	ARDV4210	ARDV4810
Frame w/Doors	DRFF3024*	DRFF3624**	DRFF4224	DRFF4824

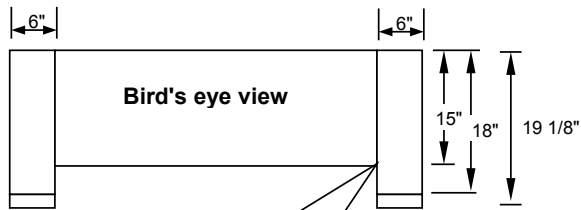
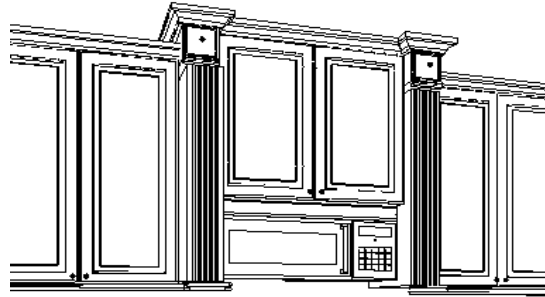
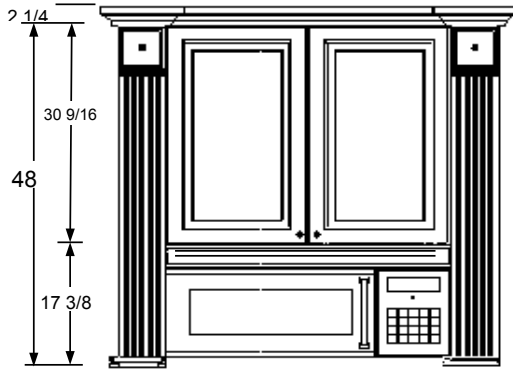
6"x48" - CORBEL - Cooktop with Arch Valance with Mantel

Cooktop/Range	30"	36"	42"	48"
Column Left	COL-COR6X48L	COL-COR6X48L	COL-COR6X48L	COL-COR6X48L
Column Right	COL-COR6X48R	COL-COR6X48R	COL-COR6X48R	COL-COR6X48R
Arch Valance	AV3010	AV3610	AV4210	AV4810
Mantel	MANTEL27	MANTEL33	MANTEL39	MANTEL45
Frame w/Doors	DRFF3024*	DRFF3624**	DRFF4224	DRFF4824

* or you can use a W302415

** or you can use a W362415

48" Tall Grotto with 6" Wide Columns



Set cabinet or panel between columns at 15" deep. Crown molding to return from 18" column depth

Roundell = 1 1/8" Deep
 Plinth = 1 1/4" Deep
 Radius Reed Filler = 1 1/16" Deep

**In this Example we are giving the depth from the Roundell

BTBM8 and bottom of Column must match height
 Set Column 16 1/2" above top.
 **Please refer to cooktop/vent hood specifications for minimum clearances.

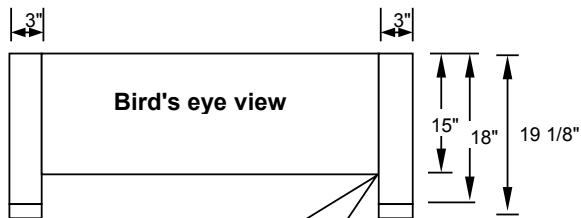
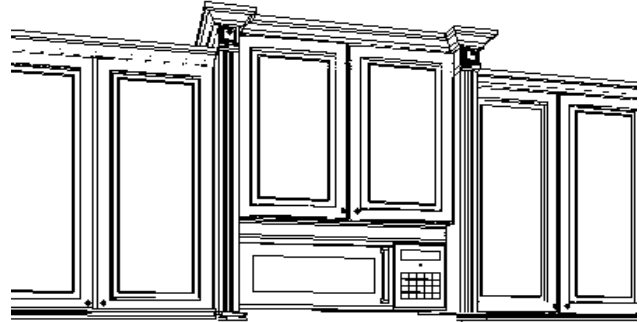
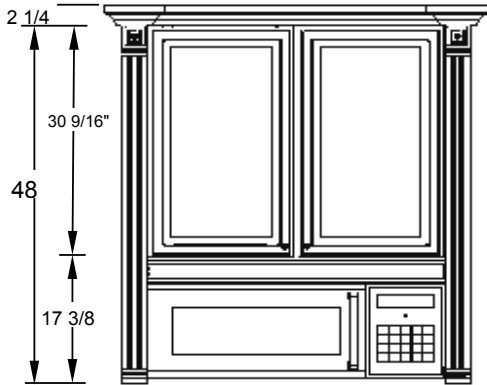
6"x48" - Microwave - Frame w/ Door

Microwave	30"	36"
Column Left	COL6X48L	COL6X48L
Column Right	COL6X48R	COL6X48R
Frame w/Doors	DRFF3030	DRFF3630

6"x48" - Microwave - with Cabinet

Microwave	30"	36"
Column Left	COL6X48L	COL6X48L
Column Right	COL6X48R	COL6X48R
Cabinet	W303015	W363015

48" Tall Grotto with 3" Wide Columns



Set cabinet or panel between columns at 15" deep. Crown molding to return from 18" column depth

- Roundell = 1 1/8" Deep
- Plinth = 1 1/4" Deep
- Flat Reed Filler = 3/4" Deep

**In this Example we are giving the depth from the Roundell

BTBM8 and bottom of Column must match height
Set Column 16 1/2" above top.

**Please refer to cooktop/vent hood specifications for minimum clearances.

3"x48" - Microwave - Frame w/ Door

Microwave	30"	36"
Column Left	COL3X48L	COL3X48L
Column Right	COL3X48R	COL3X48R
Frame w/Doors	DRFF3030	DRFF3630

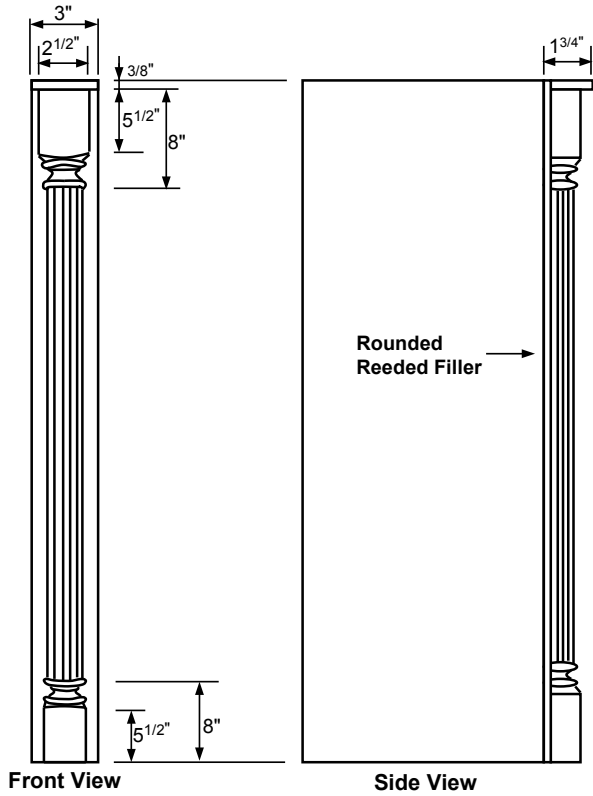
3"x48" - Microwave - with Cabinet

Microwave	30"	36"
Column Left	COL3X48L	COL3X48L
Column Right	COL3X48R	COL3X48R
Cabinet	W303015	W363015

Modular Decorative Items : Pilaster Columns

W H D

Pilaster Column Single-Sided



Wall- (13 3/4" Deep)

PIL3X30X12L/R	3	30 ^{9/16"}	13 ^{3/4"}
PIL3X36X12L/R	3	36	13 ^{3/4"}
PIL3X42X12L/R	3	41 ^{7/8"}	13 ^{3/4"}
PIL3X48X12L/R	3	48	13 ^{3/4"}
PIL3X54X12L/R	3	54	13 ^{3/4"}
PIL3X60X12L/R	3	60	13 ^{3/4"}

Wall- (16 3/4" Deep)

PIL3X48X15L/R	3	48	16 ^{3/4"}
PIL3X54X15L/R	3	54	16 ^{3/4"}
PIL3X60X15L/R	3	60	16 ^{3/4"}

Base (25 3/4" Deep)

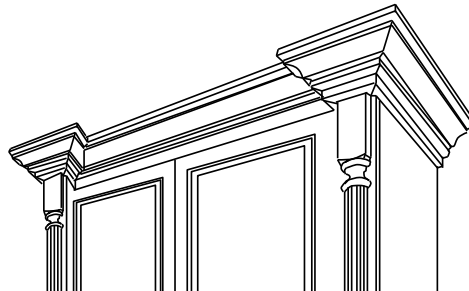
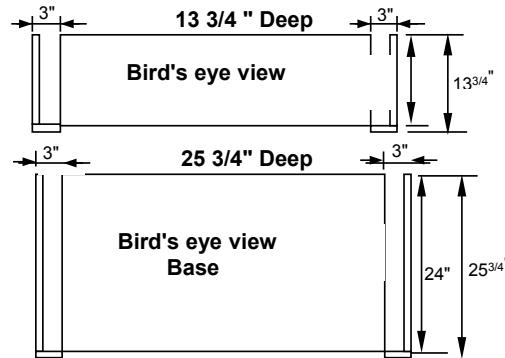
PIL3X35X24L/R	3	35	25 ^{3/4"}
---------------	---	----	--------------------

Tall- (13 3/4" Deep)

PIL3X84X12L/R	3	84	13 ^{3/4"}
PIL3X90X12L/R	3	90	13 ^{3/4"}
PIL3X96X12L/R	3	96	13 ^{3/4"}

Tall- (25 3/4" Deep)

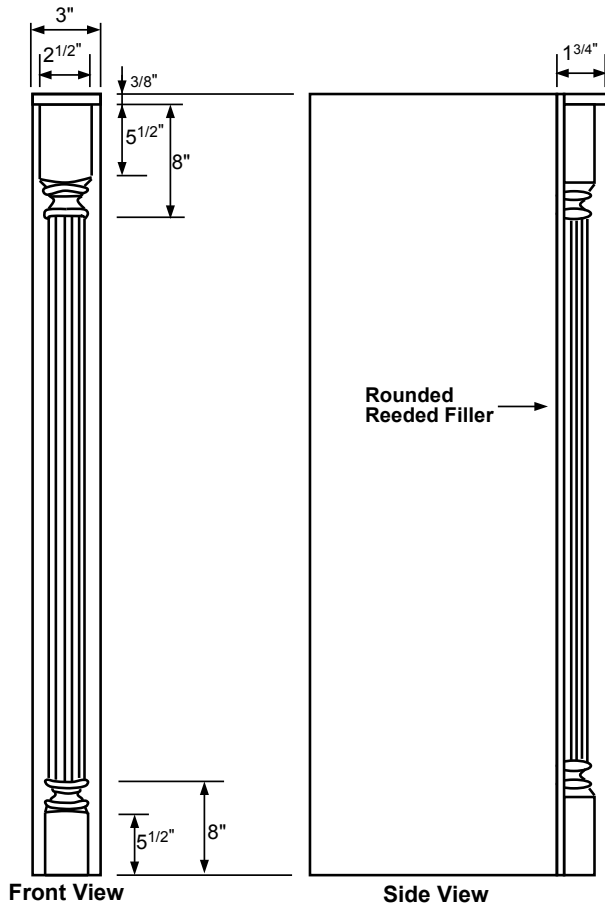
PIL3X84X24L/R	3	84	25 ^{3/4"}
PIL3X90X24L/R	3	90	25 ^{3/4"}
PIL3X96X24L/R	3	96	25 ^{3/4"}



Modular Decorative Items : Pilaster Columns

Pilaster Column Double -Sided

W H D
(Box not Finished on top or bottom)



Wall- (13 3/4" Deep)

PIL3X30X12	3	30 ^{9/16"}	13 ^{3/4"}
PIL3X36X12	3	36	13 ^{3/4"}
PIL3X42X12	3	41 ^{7/8"}	13 ^{3/4"}
PIL3X48X12	3	48	13 ^{3/4"}
PIL3X54X12	3	54	13 ^{3/4"}
PIL3X60X12	3	60	13 ^{3/4"}

Wall- (16 3/4" Deep)

PIL3X48X15	3	48	16 ^{3/4"}
PIL3X54X15	3	54	16 ^{3/4"}
PIL3X60X15	3	60	16 ^{3/4"}

Base (25 3/4" Deep)

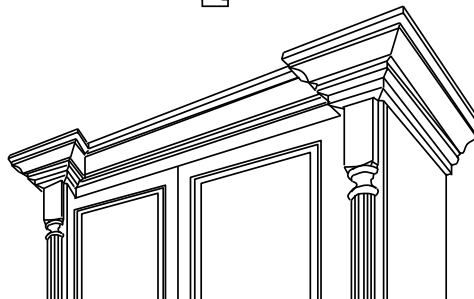
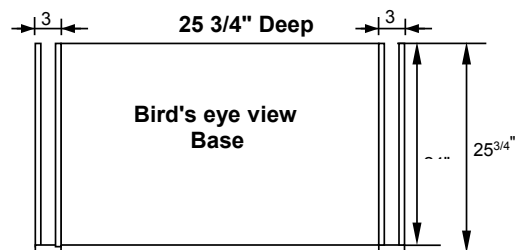
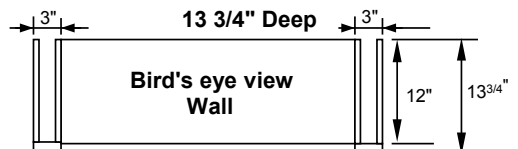
PIL3X35X24	3	35	25 ^{3/4"}
------------	---	----	--------------------

Tall- (13 3/4" Deep)

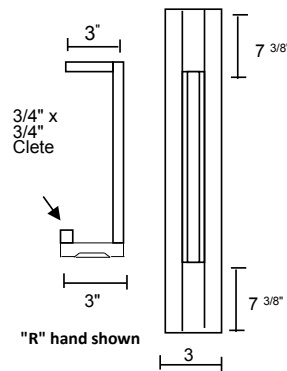
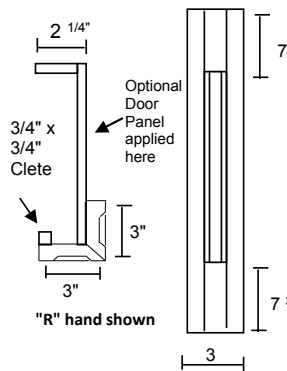
PIL3X84X12	3	84	13 ^{3/4"}
PIL3X90X12	3	90	13 ^{3/4"}
PIL3X96X12	3	96	13 ^{3/4"}

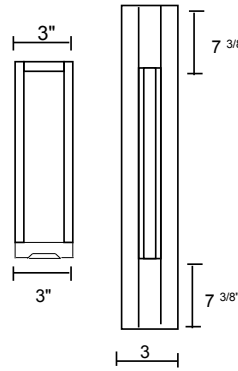
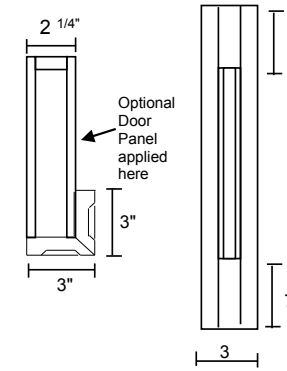
Tall- (25 3/4" Deep)

PIL3X84X24	3	84	25 ^{3/4"}
PIL3X90X24	3	90	25 ^{3/4"}
PIL3X96X24	3	96	25 ^{3/4"}



Modular Decorative Items : Pilasters

PS	Pilaster "Shaker" Single Sided	PES	Pilaster End "Shaker" Single Sided
 <p>3/4" x 3/4" Clete</p> <p>3"</p> <p>7 3/8"</p> <p>3"</p> <p>"R" hand shown</p>	<p>Base (24 7/8" Deep)</p> <p>PS033524L/R</p> <p>Wall- (12 7/8" Deep)</p> <p>PS033012L/R</p> <p>PS033612L/R</p> <p>PS034212L/R</p> <p>PS034812L/R</p> <p>PS035412L/R</p> <p>PS036012L/R</p> <p>Wall- 15 7/8" Deep</p> <p>PS034815L/R</p> <p>PS035415L/R</p> <p>PS036015L/R</p> <p>Tall- (12 7/8" Deep)</p> <p>PS038412L/R</p> <p>PS039012L/R</p> <p>PS039612L/R</p> <p>PS0310212L/R</p> <p>Tall- (24 7/8" Deep)</p> <p>PS038424L/R</p> <p>PS039024L/R</p> <p>PS039624L/R</p> <p>PS0310224L/R</p>	 <p>2 1/4"</p> <p>3/4" x 3/4" Clete</p> <p>Optional Door Panel applied here</p> <p>3"</p> <p>3"</p> <p>"R" hand shown</p>	<p>Base (24 7/8" Deep)</p> <p>PES033524L/R</p> <p>Wall- (12 7/8" Deep)</p> <p>PES033012L/R</p> <p>PES033612L/R</p> <p>PES034212L/R</p> <p>PES034812L/R</p> <p>PES035412L/R</p> <p>PES036012L/R</p> <p>Wall- 15 7/8" Deep</p> <p>PES034815L/R</p> <p>PES035415L/R</p> <p>PES036015L/R</p> <p>Tall- (12 7/8" Deep)</p> <p>PES038412L/R</p> <p>PES039012L/R</p> <p>PES039612L/R</p> <p>PES0310212L/R</p> <p>Tall- (24 7/8" Deep)</p> <p>PES038424L/R</p> <p>PES039024L/R</p> <p>PES039624L/R</p> <p>PES0310224L/R</p>
	<p>Box not Finished on top or bottom</p> <p><u>Actual Heights:</u></p> <p>30 = 30 9/16</p> <p>36 = 36</p> <p>42 = 41 7/8</p> <p>48 = 48</p> <p>54 = 54</p> <p>60 = 60</p> <p>84 = 84</p> <p>90 = 90</p> <p>96 = 96</p> <p>102 = 102</p>		<p>Box not Finished on top or bottom</p> <p><u>Actual Heights:</u></p> <p>30 = 30 9/16</p> <p>36 = 36</p> <p>42 = 41 7/8</p> <p>48 = 48</p> <p>54 = 54</p> <p>60 = 60</p> <p>84 = 84</p> <p>90 = 90</p> <p>96 = 96</p> <p>102 = 102</p>

PS	Pilaster "Shaker" Double Sided	PES	Pilaster End "Shaker" Double Sided
 <p>3"</p> <p>7 3/8"</p> <p>3"</p> <p>7 3/8"</p> <p>3"</p>	<p>Base (24 7/8" Deep)</p> <p>PS033524</p> <p>Wall- (12 7/8" Deep)</p> <p>PS033012</p> <p>PS033612</p> <p>PS034212</p> <p>PS034812</p> <p>PS035412</p> <p>PS036012</p> <p>Wall- 15 7/8" Deep</p> <p>PS034815</p> <p>PS035415</p> <p>PS036015</p> <p>Tall- (12 7/8" Deep)</p> <p>PS038412</p> <p>PS039012</p> <p>PS039612</p> <p>PS0310212</p> <p>Tall- (24 7/8" Deep)</p> <p>PS038424</p> <p>PS039024</p> <p>PS039624</p> <p>PS0310224</p>	 <p>2 1/4"</p> <p>Optional Door Panel applied here</p> <p>3"</p> <p>3"</p>	<p>Base (24 7/8" Deep)</p> <p>PES033524</p> <p>Wall- (12 7/8" Deep)</p> <p>PES033012</p> <p>PES033612</p> <p>PES034212</p> <p>PES034812</p> <p>PES035412</p> <p>PES036012</p> <p>Wall- 15 7/8" Deep</p> <p>PES034815</p> <p>PES035415</p> <p>PES036015</p> <p>Tall- (12 7/8" Deep)</p> <p>PES038412</p> <p>PES039012</p> <p>PES039612</p> <p>PES0310212</p> <p>Tall- (24 7/8" Deep)</p> <p>PES038424</p> <p>PES039024</p> <p>PES039624</p> <p>PES0310224</p>
	<p>Box not Finished on top or bottom</p> <p><u>Actual Heights:</u></p> <p>30 = 30 9/16</p> <p>36 = 36</p> <p>42 = 41 7/8</p> <p>48 = 48</p> <p>54 = 54</p> <p>60 = 60</p> <p>84 = 84</p> <p>90 = 90</p> <p>96 = 96</p> <p>102 = 102</p>		<p>Box not Finished on top or bottom</p> <p><u>Actual Heights:</u></p> <p>30 = 30 9/16</p> <p>36 = 36</p> <p>42 = 41 7/8</p> <p>48 = 48</p> <p>54 = 54</p> <p>60 = 60</p> <p>84 = 84</p> <p>90 = 90</p> <p>96 = 96</p> <p>102 = 102</p>

RECOMMENDATION:

On 12" Deep PES/PET columns order overlay door as: 9 3/4" depth
 On 15" Deep PES/PET columns order overlay door as: 12 3/4" depth
 On 24" Deep PES/PET columns order overlay door as: 21 3/4" depth
 Height of overlay door must match height of adjacent cabinet

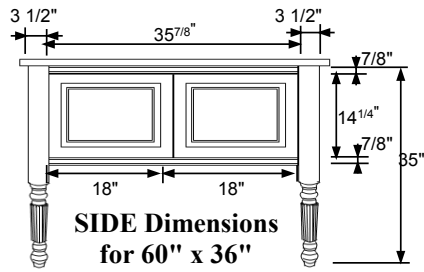
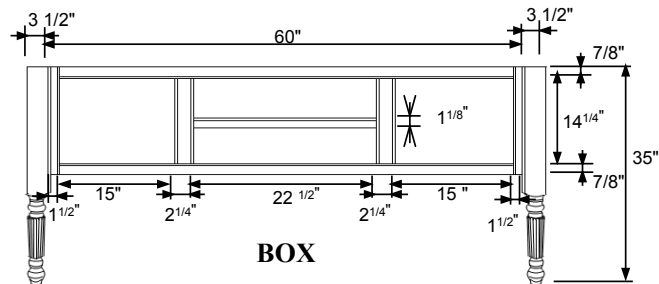
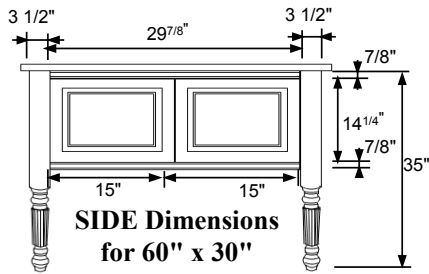
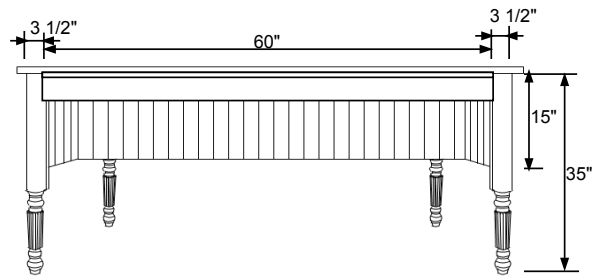
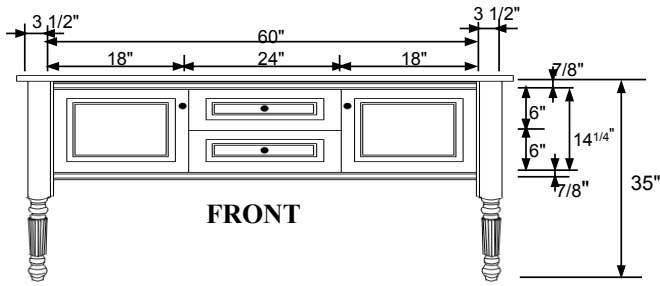
Modular Decorative Items : Pilasters

****Note:** Transitional pieces are intended for use with Newport door style

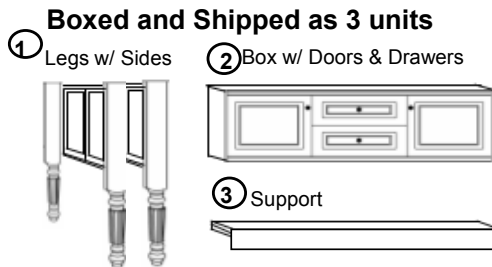
PT	Pilaster "Transitional" Single Sided	PET	Pilaster End "Transitional" Single Sided
	<u>Base (24 7/8" Deep)</u>		<u>Base (24 7/8" Deep)</u>
	PT033524L/R		PET033524L/R
	<u>Wall- (12 7/8" Deep)</u>		<u>Wall- (12 7/8" Deep)</u>
	PT033012L/R		PET033012L/R
	PT033612L/R		PET033612L/R
	PT034212L/R		PET034212L/R
	PT034812L/R		PET034812L/R
	PT035412L/R		PET035412L/R
	PT036012L/R		PET036012L/R
	<u>Wall- 15 7/8" Deep</u>		<u>Wall- 15 7/8" Deep</u>
	PT034815L/R		PET034815L/R
	PT035415L/R		PET035415L/R
	PT036015L/R		PET036015L/R
	<u>Tall- (12 7/8" Deep)</u>		<u>Tall- (12 7/8" Deep)</u>
	PT038412L/R		PET038412L/R
	PT039012L/R		PET039012L/R
	PT039612L/R		PET039612L/R
	PT0310212L/R		PET0310212L/R
	<u>Tall- (24 7/8" Deep)</u>		<u>Tall- (24 7/8" Deep)</u>
	PT038424L/R		PET038424L/R
	PT039024L/R		PET039024L/R
	PT039624L/R		PET039624L/R
	PT0310224L/R		PET0310224L/R

PT	Pilaster "Transitional" Double Sided	PET	Pilaster End "Transitional" Double Sided
	<u>Base (24 7/8" Deep)</u>		<u>Base (24 7/8" Deep)</u>
	PT033524		PET033524
	<u>Wall- (12 7/8" Deep)</u>		<u>Wall- (12 7/8" Deep)</u>
	PT033012		PET033012
	PT033612		PET033612
	PT034212		PET034212
	PT034812		PET034812
	PT035412		PET035412
	PT036012		PET036012
	<u>Wall- 15 7/8" Deep</u>		<u>Wall- 15 7/8" Deep</u>
	PT034815		PET034815
	PT035415		PET035415
	PT036015		PET036015
	<u>Tall- (12 7/8" Deep)</u>		<u>Tall- (12 7/8" Deep)</u>
	PT038412		PET038412
	PT039012		PET039012
	PT039612		PET039612
	PT0310212		PET0310212
	<u>Tall- (24 7/8" Deep)</u>		<u>Tall- (24 7/8" Deep)</u>
	PT038424		PET038424
	PT039024		PET039024
	PT039624		PET039624
	PT0310224		PET0310224

Island Table : 60" Wide - 30" Deep , 60" Wide - 36" Deep



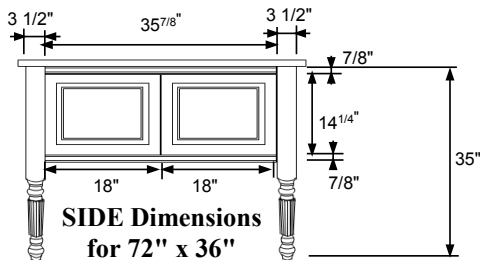
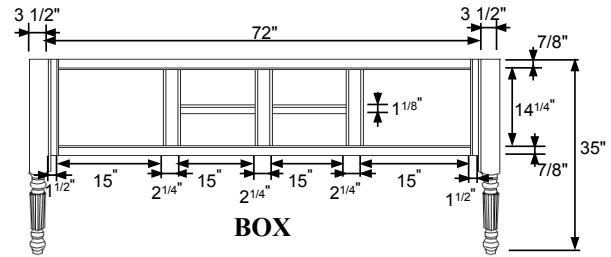
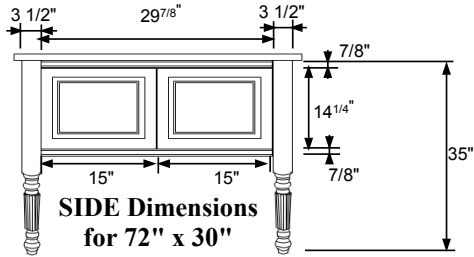
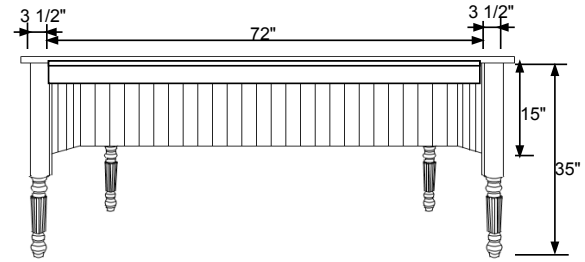
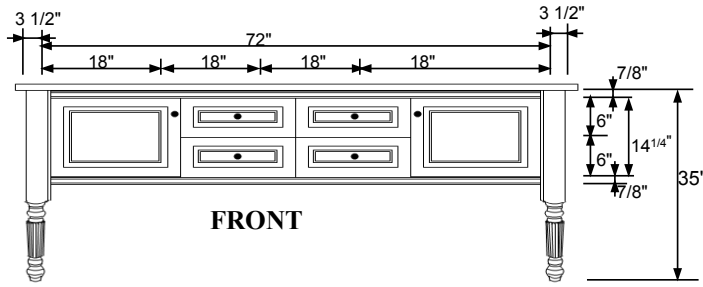
List Prices	Dimensions		Front Face Doors & Drawers	Side Door Panels	Minimal Top Dimensions
	Box	Overall			
\$ 2999 (\$ 3450 Distressed)	60" X 30"	67" X 37"	2 - DR1815 2 - DH2406	4 - DR1515	70" X 40"
\$ 3790 (\$ 4359 Distressed)	60" X 36"	67" X 43"	2 - DR1815 2 - DH2406	4 - DR1815	70" X 46"



**For countertops-
Island Table must be templated on job site!!!**

Modular Decorative Items : Island Tables

Island Table : 72" Wide - 30" Deep , 72" Wide - 36" Deep



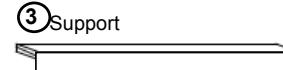
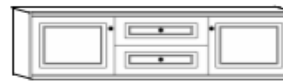
List Prices	Dimensions		Front Face Doors & Drawers	Side Door Panels	Minimal Top Dimensions
	Box	Overall			
\$ 4243 (\$ 4880 Distress)	72" X 30"	79" X 37"	2 - DR1815 4 - DH1806	4 - DR1515	82" X 40"
\$ 5090 (\$ 5854 Distress)	72" X 36"	79" X 43"	2 - DR1815 4 - DH1806	4 - DR1815	82" X 46"



**For countertops-
Island Table must be templated on job site!!!**

Boxed and Shipped as 3 units

- ① Legs w/ Sides
- ② Box w/ Doors & Drawers

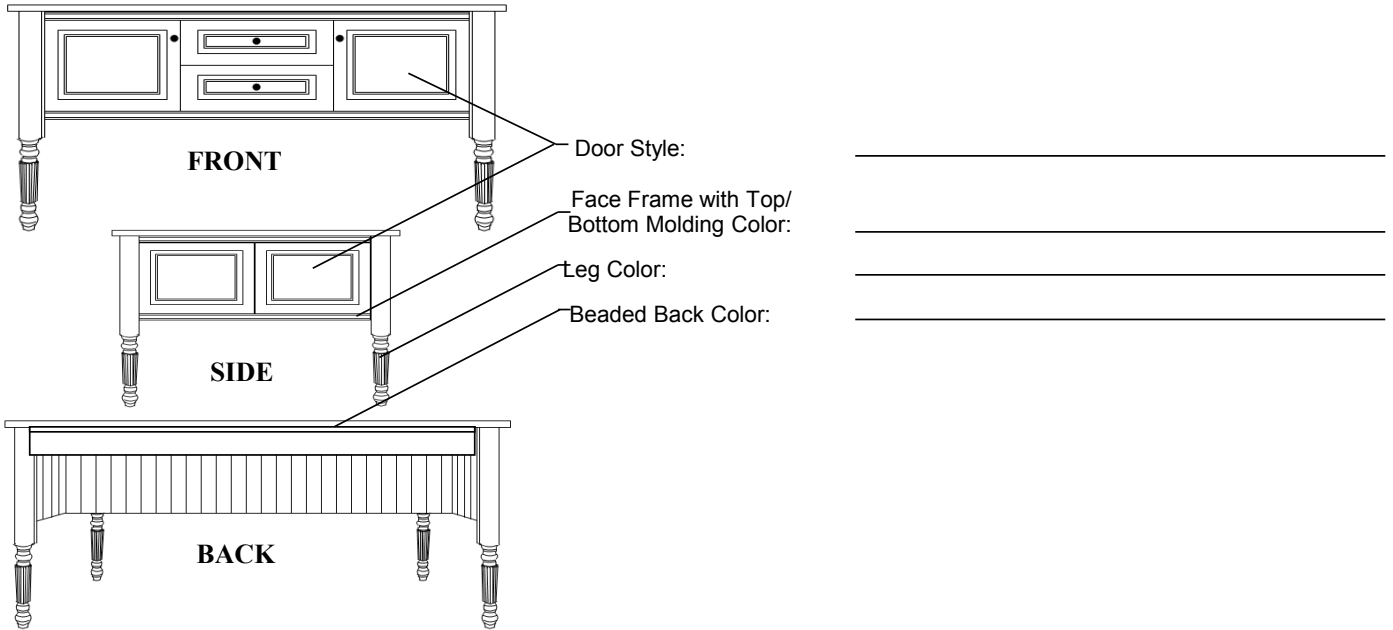


Island Table Order Form

Order Number: _____ Builder Name: _____
 Project: _____ Lot #: _____

Island Table: _____

Available in CHS only!



Important Information:

List Prices	Dimensions		Front Face Doors & Drawers	Side Door Panels	Minimal Top Dimensions	Picture
	Box	Overall				
\$ 2999 (\$ 3450 Distressed)	60" X 30"	67" X 37"	2 - DR1815 & 2 - DH2406	4 - DR1515	70" X 40"	
\$ 3790 (\$ 4359 Distressed)	60" X 36"	67" X 43"	2 - DR1815 & 2 - DH2406	4 - DR1815	70" X 46"	
\$ 4243 (\$ 4880 Distressed)	72" X 30"	79" X 37"	2 - DR1815 & 4 - DH1806	4 - DR1515	82" X 40"	
\$ 5090 (\$ 5854 Distressed)	72" X 36"	79" X 43"	2 - DR1815 & 4 - DH1806	4 - DR1815	82" X 46"	

Note: For more detailed information, refer to the Specifications Book.

For countertops - Island Table must be templated on job site!!!



