

- *Index*
- *Bridges & Posts*
- *Columns*
- *Column Corbel Shakers*
- *Grottos*
- *Pilaster Columns*
- *Pilasters*
- *Island Tables*

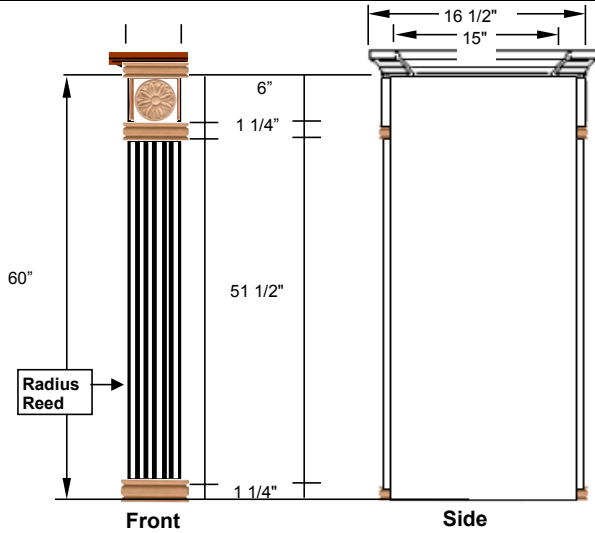
Modular Decorative Items

Page Location	Item Type	Nomenclature
144	3" Column	COL
144	3" Column - 24" Deep	C03
144	6" Column	COL
144	6" Column - 24" Deep	C06
145	Column Corbel Grape - 24" Deep	CCG
145	Column with Grape Corbel	COL-COR
145	Column with Pullout	COL-PO
145	Column with Pullout - 24" Deep	CP
146	Column with Scroll Corbel	CCR
147 - 148	Column with Shaker Detail	PCCS
157 - 159	Island Tables	Custom
143	Panel 15x60 for POST6X60	PAN1560
154	Pilaster Column - Reeded Leg (Double Sided)	PIL
153	Pilaster Column - Reeded Leg (Single Sided)	PIL
143	Post for Peninsula	POST6x60
155	Shaker Pilasters	PS / PES
156	Transitional Pilasters	PT / PET
143	Unistrut for POST	UNISTRUT

Modular Decorative Items : Bridges & Posts

Bridge

Post

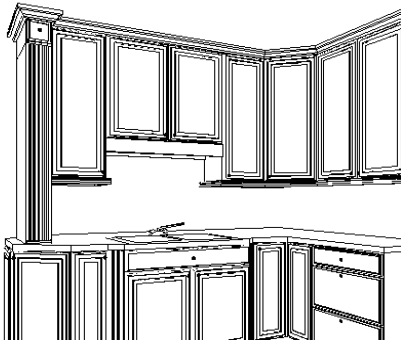


POST6X60

When you order the POST6X60, the PAN1560 will automatically be added as a separate line item by the order entry program. This is shipped separately from the POST.

**The inner door (DR1518) is sold separately. This is applied to the flush side of the POST.

Bridge with 6" Post (Used in Peninsula Applications)

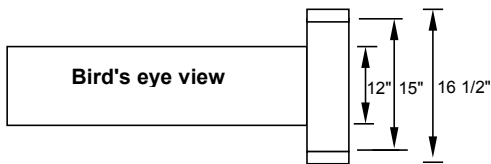


With Inner Door	Without Inner Door
POST6X60	POST6X60
UNISTRUT	UNISTRUT
PAN1560	PAN1560
DR1518	

The UNISTRUT is a wood support that is screwed into the top of all of the cabinets in the bridge - this is done by the installer.

The PAN1560 is a tall decorative door panel that is included in POST6x60 price but is shipped loose and must be installed on the recessed side of the POST.

The DR1518 is a loose door that can be ordered separately if customer prefers and is attached to the FLUSH side of the POST.



- Roundell = 1 1/8" Deep
- Plinth = 1 1/4" Deep
- Flat Reed Filler = 3/4" Deep

The POST6x60 is to be used at bridge end to support wall cabinets on peninsula. The UNISTRUT must be ordered for additional strength.

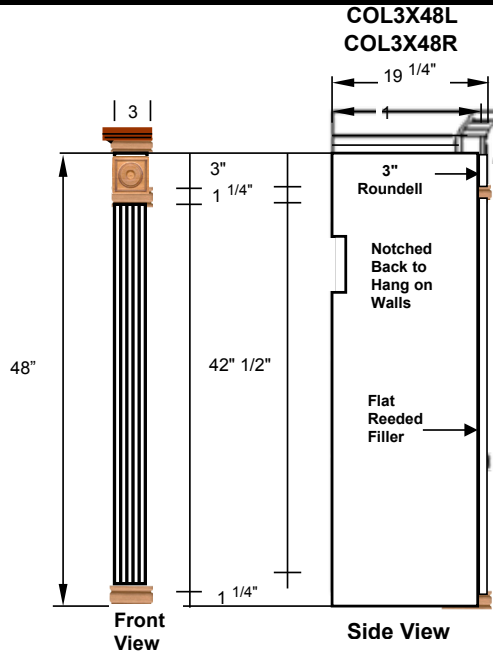
5/8" recessed on one side and flush on the other side. Apply PAN1560 to recessed side.

The POST6x60 is finished on the front and back; recessed side is not finished. Flush side is finished.

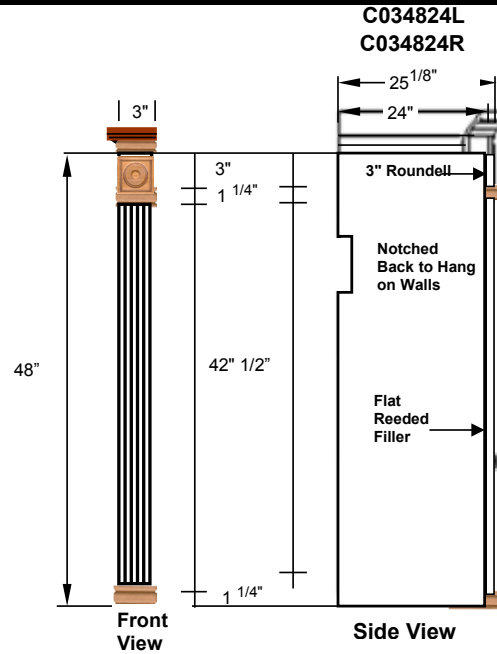
*In this Example we are giving the depth from the Roundells

Modular Decorative Items : Columns - 48" Height

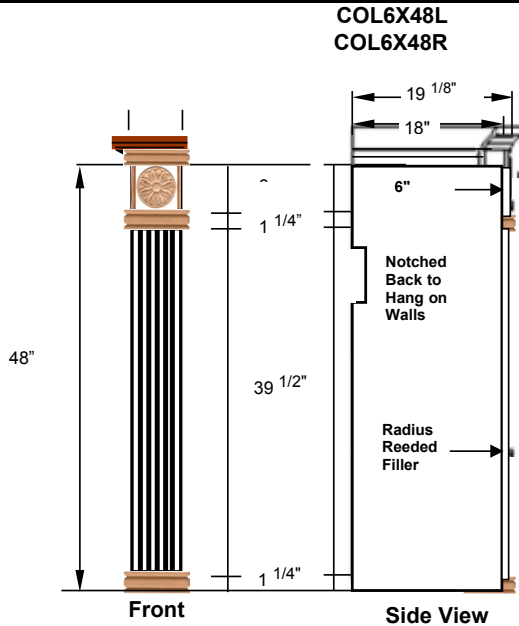
3" x 48 Column - 18" Deep



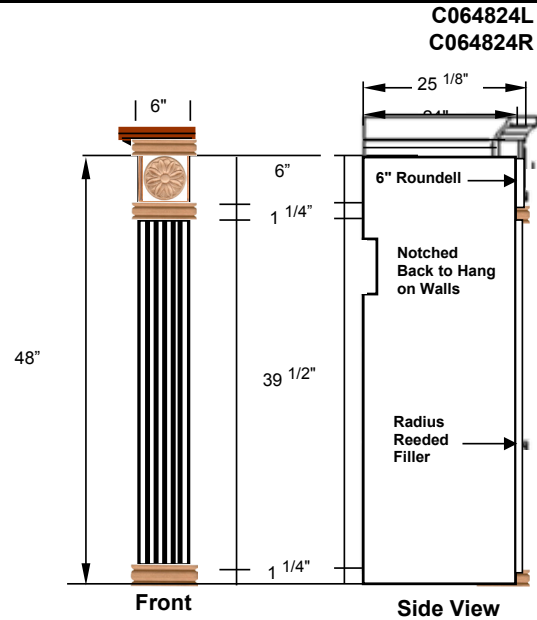
3" x 48 Column - 24" Deep



6" x 48 Column - 18" Deep



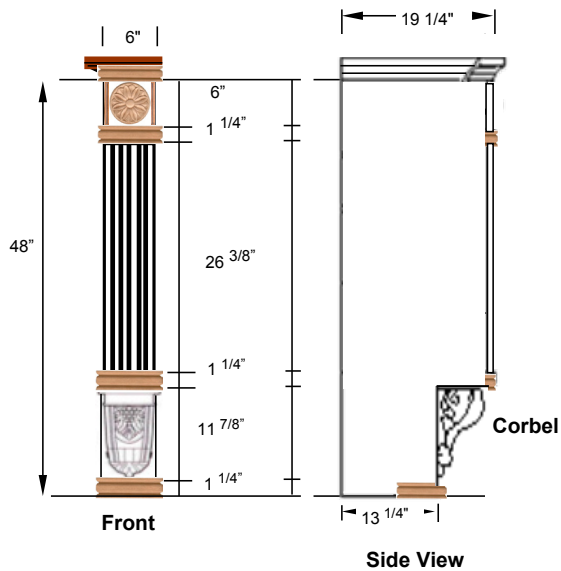
6" x 48 Column - 24" Deep



Modular Decorative Items : Columns - 48" Height

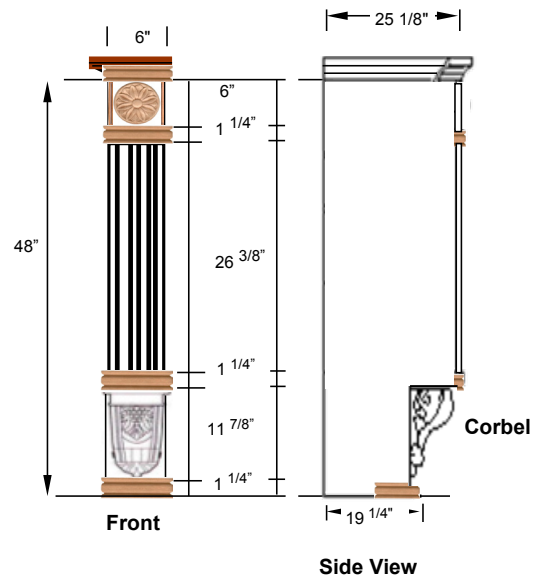
6"x48" Column with Grape Corbel - 18" Deep

COL-COR6X48L
COL-COR6X48R



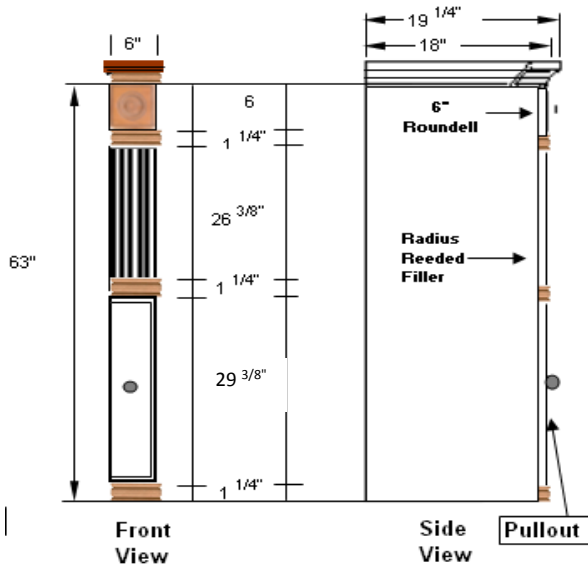
6"x48" Column with Grape Corbel - 24" Deep

CCG064824L
CCG064824R



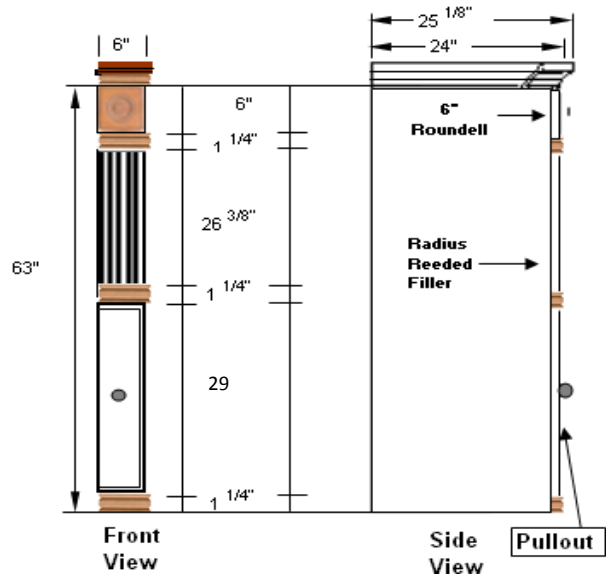
6"x 63" Column w/Pullout Spice Drawer - 18" Deep

COL-PO6X63L
COL-PO6X63R



6"x 63" Column w/Pullout Spice Drawer - 24" Deep

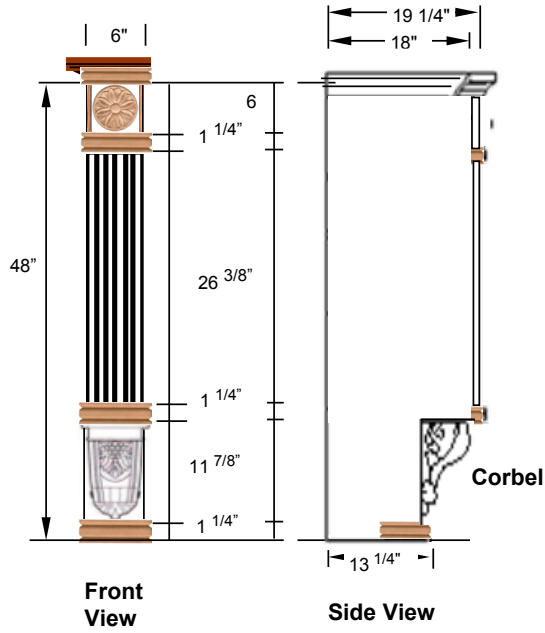
CP066324L
CP066324R



Modular Decorative Items : Columns - With Scroll Corbel

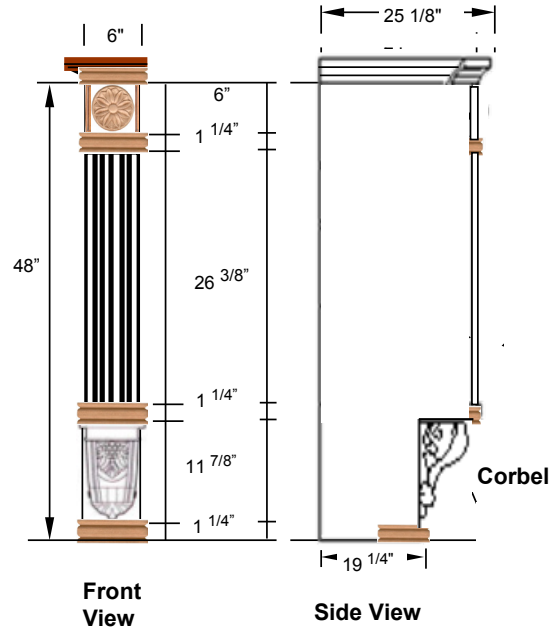
6"x48" Column with Scroll Corbel - 18" Deep

CCR064818L
CCR064818R



6"x48" Column with Scroll Corbel - 24" Deep

CCR064824L
CCR064824R



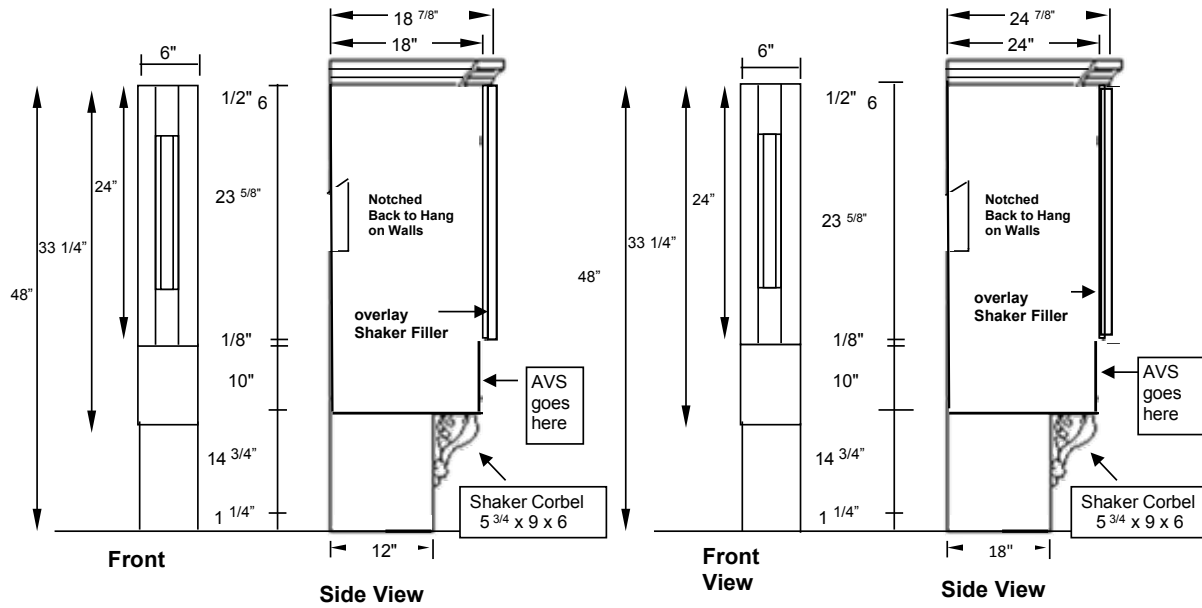
Modular Decorative Items : Column Corbel Shakers

3" & 6"x48" & 36" Column Corbel Shaker - 18" Depth

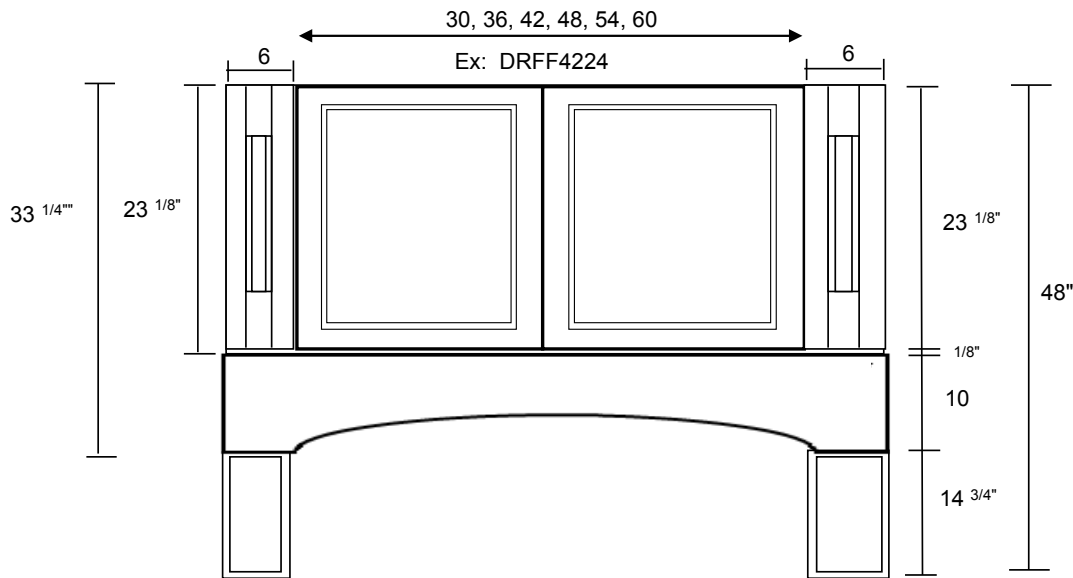
3" & 6"x48" & 36" Column Corbel Shaker - 24" Depth

PCCS063618L
 PCCS063618R
 PCCS064818L
 PCCS064818R

PCCS063624L
 PCCS063624R
 PCCS064824L
 PCCS064824R



FRONT VIEW OF PCCS064818L/R OR PCCS064824L/R WITH DRFFS AND VALANCE



Note: The front frame is 24" high and the Arch Valance runs across both columns and is set 1/8" below DRFF and overlay fillers

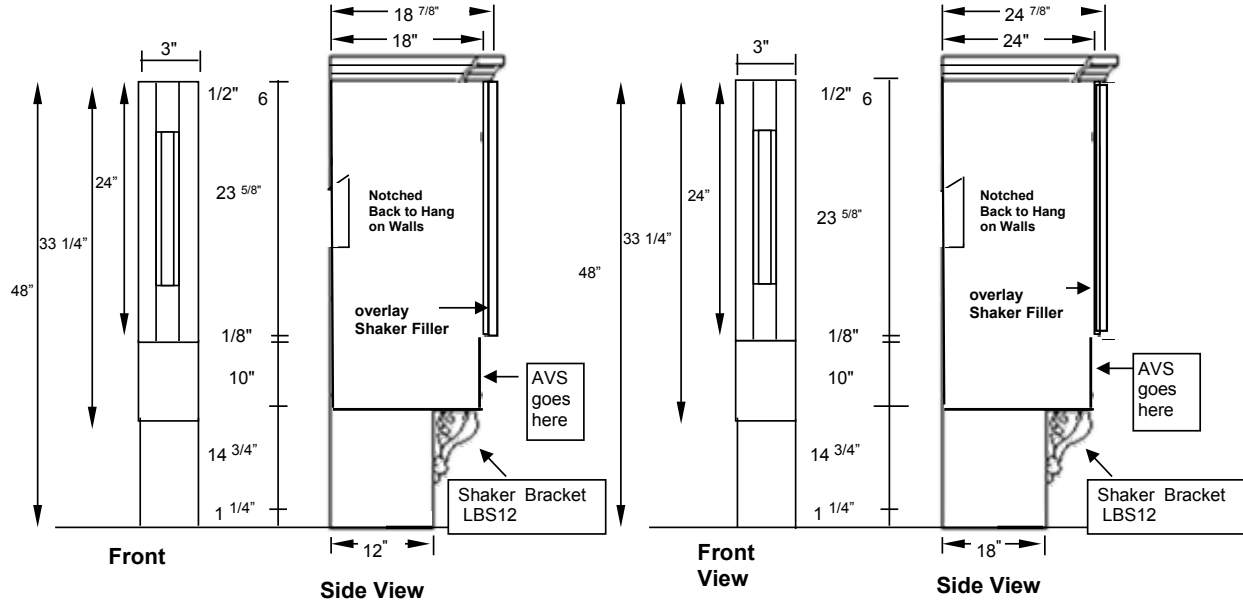
Modular Decorative Items : Column Corbel Shakers

3"x48" Column Corbel Shaker - 18" Depth

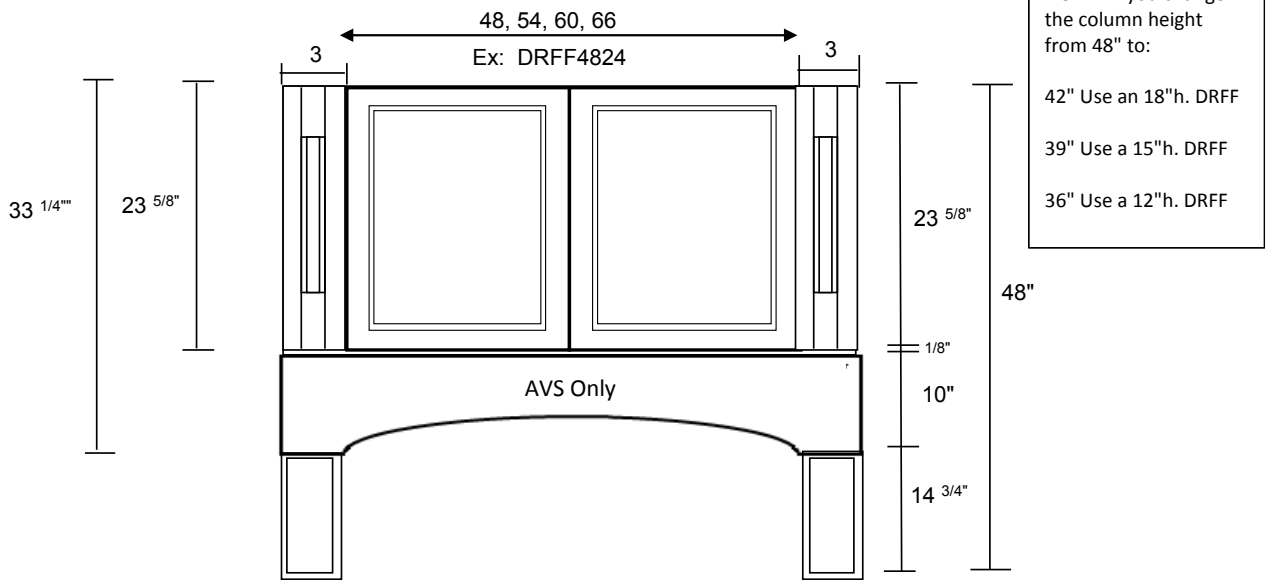
PCCS034818L
PCCS034818R

3" x48" Column Corbel Shaker - 24" Depth

PCCS034824L
PCCS034824R



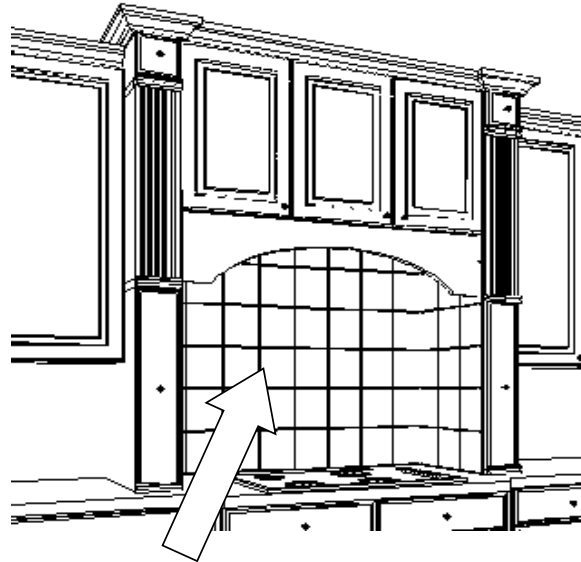
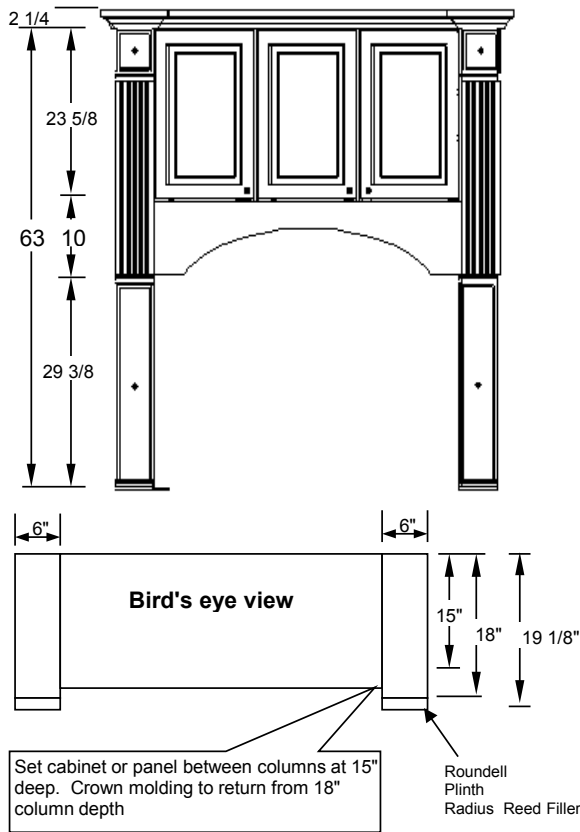
FRONT VIEW OF PCCS034818L/R OR PCCS034824L/R WITH DRFFS AND VALANCE



Note: The front frame is 24" high and the Arch Valance runs across both columns and is set 1/8" below DRFF and overlay fillers

Notch (14 3/4") and Valance (10") Can Not Be Changed

63" Tall Grotto with Pullouts & 6" Wide Columns



Sides and back of Grotto MUST be tiled.
 **MUST back columns off a minimum of 6" to left and right of cooking surface.
 **Please refer to cooktop/vent hood specifications for minimum clearances.

**In this Example we are giving the depth from the Roundell

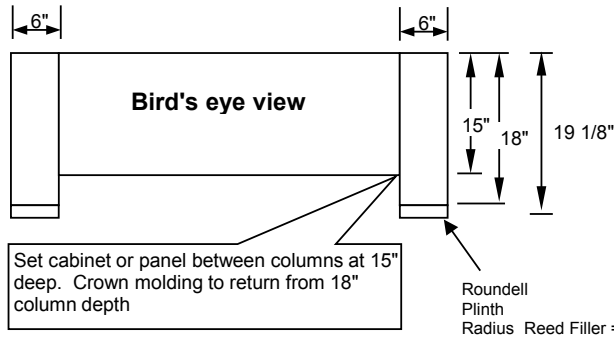
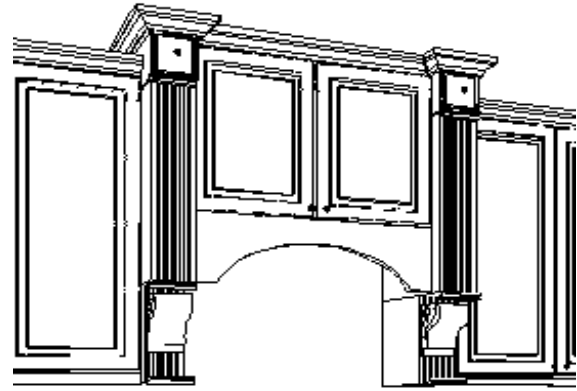
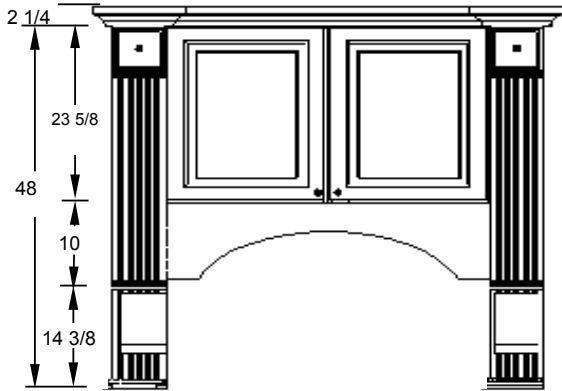
6" Grotto with Pullout : (Cooktop with Decorative Valance)

Cooktop/Range	30"	36"	42"	48"
Column Left	COL-PO6X63L	COL-PO6X63L	COL-PO6X63L	COL-PO6X63L
Column Right	COL-PO6X63R	COL-PO6X63R	COL-PO6X63R	COL-PO6X63R
Decorative-Arch	ARDV4210	ARDV4810	ARDV5410	ARDV6010
Frame w/Doors	DRFF4224	DRFF4824	DRFF5424	DRFF6024

6" Grotto with Pullout : (Cooktop with Arch Valance with Mantel)

Cooktop/Range	30"	36"	42"	48"
Column Left	COL-PO6X63L	COL-PO6X63L	COL-PO6X63L	COL-PO6X63L
Column Right	COL-PO6X63R	COL-PO6X63R	COL-PO6X63R	COL-PO6X63R
Arch Valance	AV4210	AV4810	AV5410	AV6010
Mantel	MANTEL39	MANTEL45	MANTEL51	MANTEL57
Frame w/Doors	DRFF4224	DRFF4824	DRFF5424	DRFF6024

48" Tall Grotto with Corbels & 6" Wide Columns



BTBM8 and bottom of Column must match height
Arch will be 30 7/8" above top
Set Column 16 1/2" above top.

**Please refer to cooktop/vent hood specifications for minimum clearances.

**In this Example we are giving the depth from the Roundell

6"x48" CORBEL - Cooktop with Decorative Valance

Cooktop/Range	30"	36"	42"	48"
Column Left	COL-COR6X48L	COL-COR6X48L	COL-COR6X48L	COL-COR6X48L
Column Right	COL-COR6X48R	COL-COR6X48R	COL-COR6X48R	COL-COR6X48R
Decorative-Arch	ARDV3010	ARDV3610	ARDV4210	ARDV4810
Frame w/Doors	DRFF3024*	DRFF3624**	DRFF4224	DRFF4824

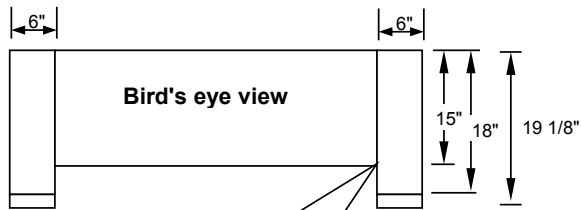
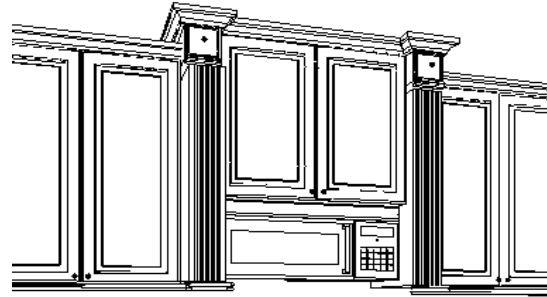
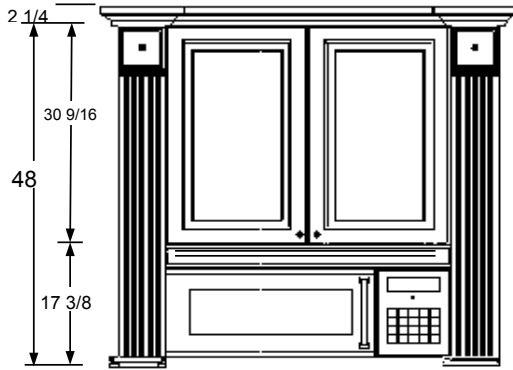
6"x48" - CORBEL - Cooktop with Arch Valance with Mantel

Cooktop/Range	30"	36"	42"	48"
Column Left	COL-COR6X48L	COL-COR6X48L	COL-COR6X48L	COL-COR6X48L
Column Right	COL-COR6X48R	COL-COR6X48R	COL-COR6X48R	COL-COR6X48R
Arch Valance	AV3010	AV3610	AV4210	AV4810
Mantel	MANTEL27	MANTEL33	MANTEL39	MANTEL45
Frame w/Doors	DRFF3024*	DRFF3624**	DRFF4224	DRFF4824

* or you can use a W302415

** or you can use a W362415

48" Tall Grotto with 6" Wide Columns



Set cabinet or panel between columns at 15" deep. Crown molding to return from 18" column depth

Roundell = 1 1/8" Deep
 Plinth = 1 1/4" Deep
 Radius Reed Filler = 1 1/16" Deep

**In this Example we are giving the depth from the Roundell

BTBM8 and bottom of Column must match height
 Set Column 16 1/2" above top.
 **Please refer to cooktop/vent hood specifications for minimum clearances.

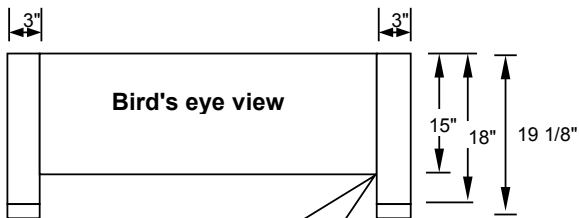
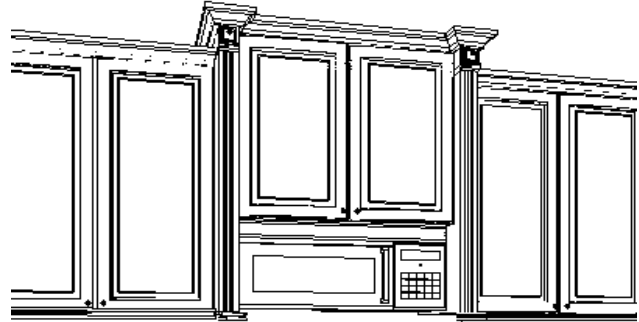
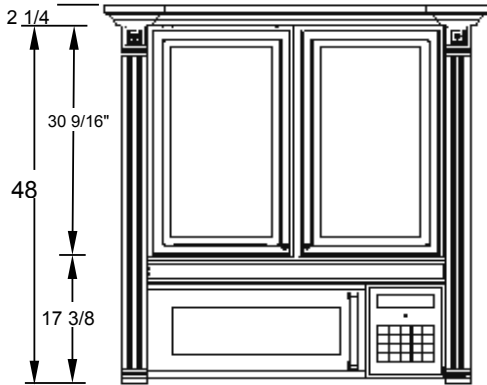
6"x48" - Microwave - Frame w/ Door

Microwave	30"	36"
Column Left	COL6X48L	COL6X48L
Column Right	COL6X48R	COL6X48R
Frame w/Doors	DRFF3030	DRFF3630

6"x48" - Microwave - with Cabinet

Microwave	30"	36"
Column Left	COL6X48L	COL6X48L
Column Right	COL6X48R	COL6X48R
Cabinet	W303015	W363015

48" Tall Grotto with 3" Wide Columns



Set cabinet or panel between columns at 15" deep. Crown molding to return from 18" column depth

- Roundell = 1 1/8" Deep
- Plinth = 1 1/4" Deep
- Flat Reed Filler = 3/4" Deep

**In this Example we are giving the depth from the Roundell

BTBM8 and bottom of Column must match height
Set Column 16 1/2" above top.

**Please refer to cooktop/vent hood specifications for minimum clearances.

3"x48" - Microwave - Frame w/ Door

Microwave	30"	36"
Column Left	COL3X48L	COL3X48L
Column Right	COL3X48R	COL3X48R
Frame w/Doors	DRFF3030	DRFF3630

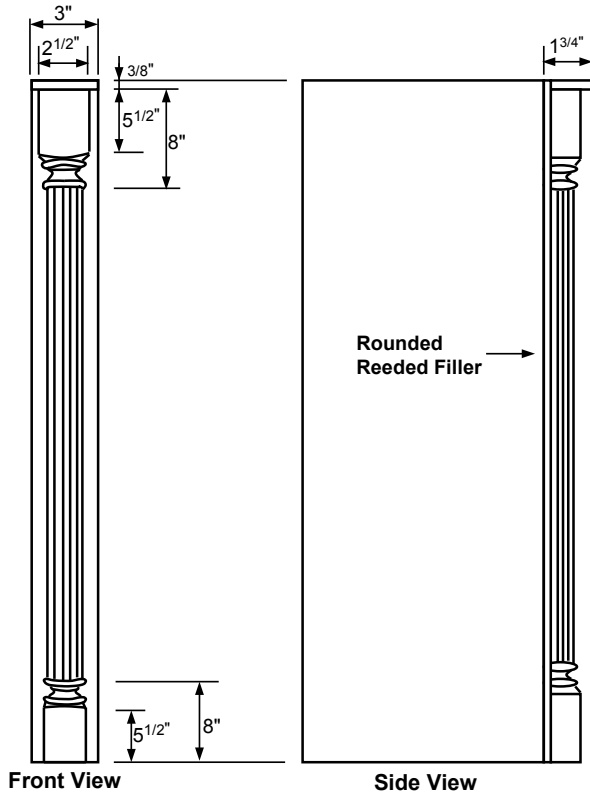
3"x48" - Microwave - with Cabinet

Microwave	30"	36"
Column Left	COL3X48L	COL3X48L
Column Right	COL3X48R	COL3X48R
Cabinet	W303015	W363015

Modular Decorative Items : Pilaster Columns

W H D

Pilaster Column Single-Sided



Wall- (13 3/4" Deep)

PIL3X30X12L/R	3	30 ^{9/16"}	13 ^{3/4"}
PIL3X36X12L/R	3	36	13 ^{3/4"}
PIL3X42X12L/R	3	41 ^{7/8"}	13 ^{3/4"}
PIL3X48X12L/R	3	48	13 ^{3/4"}
PIL3X54X12L/R	3	54	13 ^{3/4"}
PIL3X60X12L/R	3	60	13 ^{3/4"}

Wall- (16 3/4" Deep)

PIL3X48X15L/R	3	48	16 ^{3/4"}
PIL3X54X15L/R	3	54	16 ^{3/4"}
PIL3X60X15L/R	3	60	16 ^{3/4"}

Base (25 3/4" Deep)

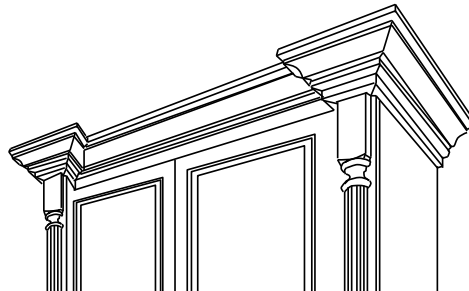
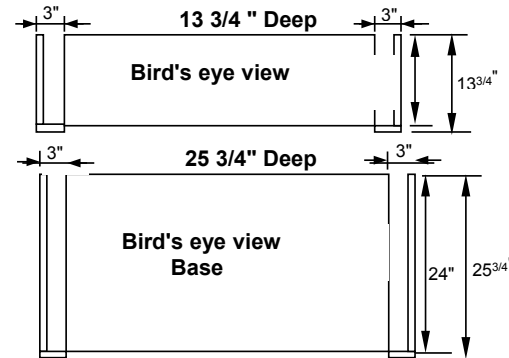
PIL3X35X24L/R	3	35	25 ^{3/4"}
---------------	---	----	--------------------

Tall- (13 3/4" Deep)

PIL3X84X12L/R	3	84	13 ^{3/4"}
PIL3X90X12L/R	3	90	13 ^{3/4"}
PIL3X96X12L/R	3	96	13 ^{3/4"}

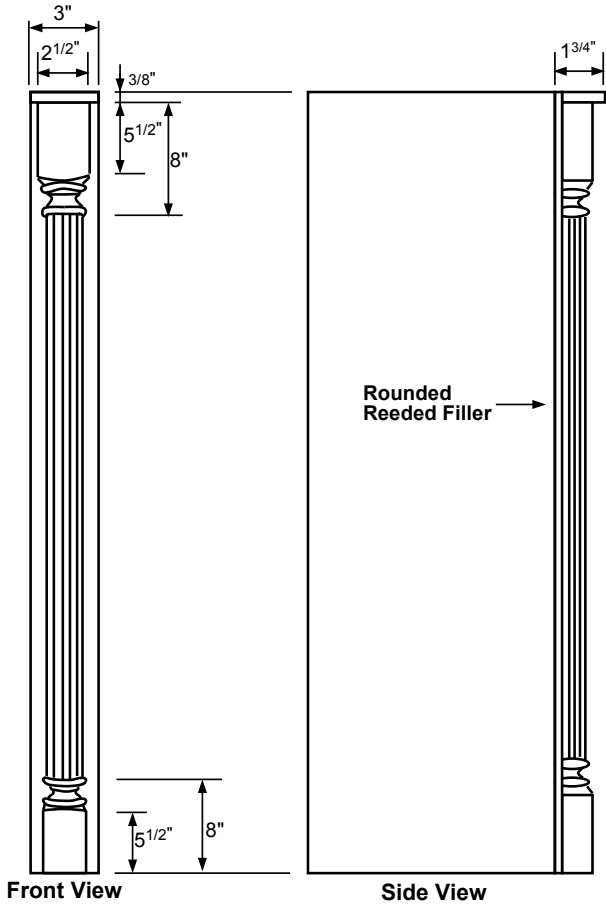
Tall- (25 3/4" Deep)

PIL3X84X24L/R	3	84	25 ^{3/4"}
PIL3X90X24L/R	3	90	25 ^{3/4"}
PIL3X96X24L/R	3	96	25 ^{3/4"}

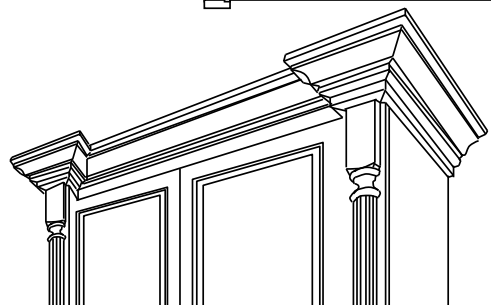
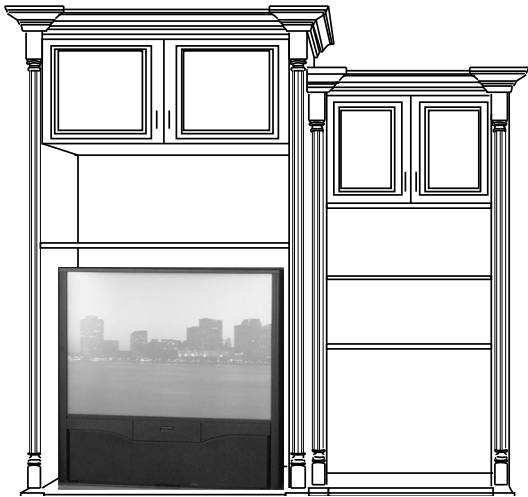
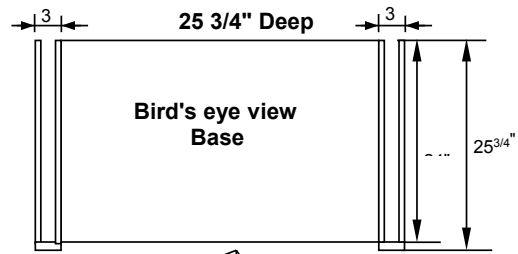
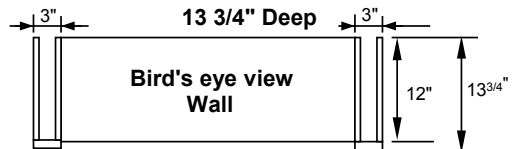


Modular Decorative Items : Pilaster Columns

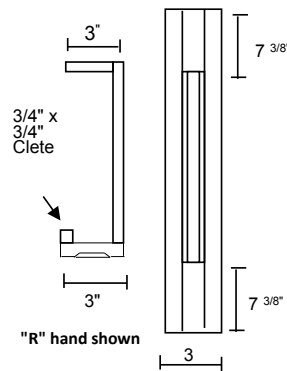
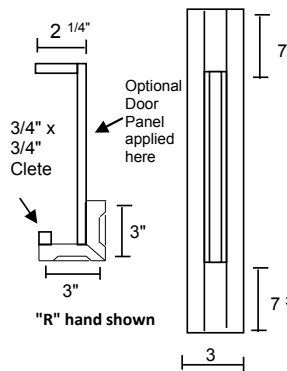
Pilaster Column Double -Sided **W H D**
(Box not Finished on top or bottom)

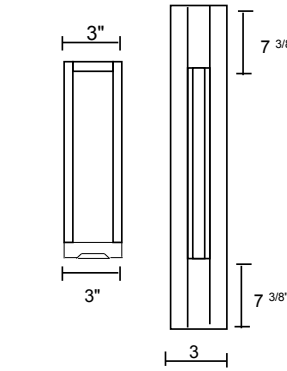
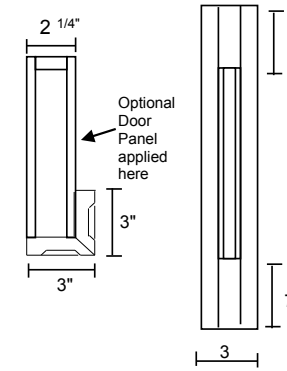


	W	H	D
Wall- (13 3/4" Deep)			
PIL3X30X12	3	30 ^{9/16"}	13 ^{3/4"}
PIL3X36X12	3	36	13 ^{3/4"}
PIL3X42X12	3	41 ^{7/8"}	13 ^{3/4"}
PIL3X48X12	3	48	13 ^{3/4"}
PIL3X54X12	3	54	13 ^{3/4"}
PIL3X60X12	3	60	13 ^{3/4"}
Wall- (16 3/4" Deep)			
PIL3X48X15	3	48	16 ^{3/4"}
PIL3X54X15	3	54	16 ^{3/4"}
PIL3X60X15	3	60	16 ^{3/4"}
Base (25 3/4" Deep)			
PIL3X35X24	3	35	25 ^{3/4"}
Tall- (13 3/4" Deep)			
PIL3X84X12	3	84	13 ^{3/4"}
PIL3X90X12	3	90	13 ^{3/4"}
PIL3X96X12	3	96	13 ^{3/4"}
Tall- (25 3/4" Deep)			
PIL3X84X24	3	84	25 ^{3/4"}
PIL3X90X24	3	90	25 ^{3/4"}
PIL3X96X24	3	96	25 ^{3/4"}



Modular Decorative Items : Pilasters

PS	Pilaster "Shaker" Single Sided	PES	Pilaster End "Shaker" Single Sided
 <p>3/4" x 3/4" Clete</p> <p>3"</p> <p>7 3/8"</p> <p>3"</p> <p>"R" hand shown</p>	<p>Base (24 7/8" Deep)</p> <p>PS033524L/R</p> <p>Wall- (12 7/8" Deep)</p> <p>PS033012L/R</p> <p>PS033612L/R</p> <p>PS034212L/R</p> <p>PS034812L/R</p> <p>PS035412L/R</p> <p>PS036012L/R</p> <p>Wall- 15 7/8" Deep</p> <p>PS034815L/R</p> <p>PS035415L/R</p> <p>PS036015L/R</p> <p>Tall- (12 7/8" Deep)</p> <p>PS038412L/R</p> <p>PS039012L/R</p> <p>PS039612L/R</p> <p>PS0310212L/R</p> <p>Tall- (24 7/8" Deep)</p> <p>PS038424L/R</p> <p>PS039024L/R</p> <p>PS039624L/R</p> <p>PS0310224L/R</p>	 <p>2 1/4"</p> <p>3/4" x 3/4" Clete</p> <p>Optional Door Panel applied here</p> <p>3"</p> <p>3"</p> <p>7 3/8"</p> <p>3"</p> <p>"R" hand shown</p>	<p>Base (24 7/8" Deep)</p> <p>PES033524L/R</p> <p>Wall- (12 7/8" Deep)</p> <p>PES033012L/R</p> <p>PES033612L/R</p> <p>PES034212L/R</p> <p>PES034812L/R</p> <p>PES035412L/R</p> <p>PES036012L/R</p> <p>Wall- 15 7/8" Deep</p> <p>PES034815L/R</p> <p>PES035415L/R</p> <p>PES036015L/R</p> <p>Tall- (12 7/8" Deep)</p> <p>PES038412L/R</p> <p>PES039012L/R</p> <p>PES039612L/R</p> <p>PES0310212L/R</p> <p>Tall- (24 7/8" Deep)</p> <p>PES038424L/R</p> <p>PES039024L/R</p> <p>PES039624L/R</p> <p>PES0310224L/R</p>
	<p>Box not Finished on top or bottom</p> <p><u>Actual Heights:</u></p> <p>30 = 30 9/16</p> <p>36 = 36</p> <p>42 = 41 7/8</p> <p>48 = 48</p> <p>54 = 54</p> <p>60 = 60</p> <p>84 = 84</p> <p>90 = 90</p> <p>96 = 96</p> <p>102 = 102</p>		<p>Box not Finished on top or bottom</p> <p><u>Actual Heights:</u></p> <p>30 = 30 9/16</p> <p>36 = 36</p> <p>42 = 41 7/8</p> <p>48 = 48</p> <p>54 = 54</p> <p>60 = 60</p> <p>84 = 84</p> <p>90 = 90</p> <p>96 = 96</p> <p>102 = 102</p>

PS	Pilaster "Shaker" Double Sided	PES	Pilaster End "Shaker" Double Sided
 <p>3"</p> <p>7 3/8"</p> <p>3"</p> <p>7 3/8"</p> <p>3"</p>	<p>Base (24 7/8" Deep)</p> <p>PS033524</p> <p>Wall- (12 7/8" Deep)</p> <p>PS033012</p> <p>PS033612</p> <p>PS034212</p> <p>PS034812</p> <p>PS035412</p> <p>PS036012</p> <p>Wall- 15 7/8" Deep</p> <p>PS034815</p> <p>PS035415</p> <p>PS036015</p> <p>Tall- (12 7/8" Deep)</p> <p>PS038412</p> <p>PS039012</p> <p>PS039612</p> <p>PS0310212</p> <p>Tall- (24 7/8" Deep)</p> <p>PS038424</p> <p>PS039024</p> <p>PS039624</p> <p>PS0310224</p>	 <p>2 1/4"</p> <p>Optional Door Panel applied here</p> <p>3"</p> <p>3"</p> <p>7 3/8"</p> <p>3"</p>	<p>Base (24 7/8" Deep)</p> <p>PES033524</p> <p>Wall- (12 7/8" Deep)</p> <p>PES033012</p> <p>PES033612</p> <p>PES034212</p> <p>PES034812</p> <p>PES035412</p> <p>PES036012</p> <p>Wall- 15 7/8" Deep</p> <p>PES034815</p> <p>PES035415</p> <p>PES036015</p> <p>Tall- (12 7/8" Deep)</p> <p>PES038412</p> <p>PES039012</p> <p>PES039612</p> <p>PES0310212</p> <p>Tall- (24 7/8" Deep)</p> <p>PES038424</p> <p>PES039024</p> <p>PES039624</p> <p>PES0310224</p>
	<p>Box not Finished on top or bottom</p> <p><u>Actual Heights:</u></p> <p>30 = 30 9/16</p> <p>36 = 36</p> <p>42 = 41 7/8</p> <p>48 = 48</p> <p>54 = 54</p> <p>60 = 60</p> <p>84 = 84</p> <p>90 = 90</p> <p>96 = 96</p> <p>102 = 102</p>		<p>Box not Finished on top or bottom</p> <p><u>Actual Heights:</u></p> <p>30 = 30 9/16</p> <p>36 = 36</p> <p>42 = 41 7/8</p> <p>48 = 48</p> <p>54 = 54</p> <p>60 = 60</p> <p>84 = 84</p> <p>90 = 90</p> <p>96 = 96</p> <p>102 = 102</p>

RECOMMENDATION:

On 12" Deep PES/PET columns order overlay door as: 9 3/4" depth
 On 15" Deep PES/PET columns order overlay door as: 12 3/4" depth
 On 24" Deep PES/PET columns order overlay door as: 21 3/4" depth
 Height of overlay door must match height of adjacent cabinet

Modular Decorative Items : Pilasters

****Note:** Transitional pieces are intended for use with Newport door style

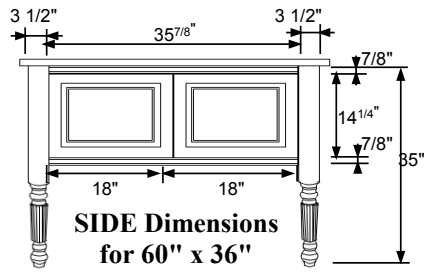
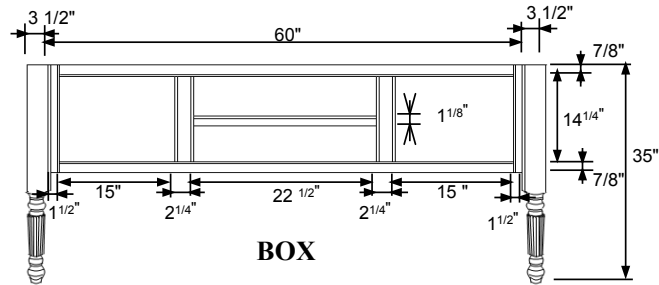
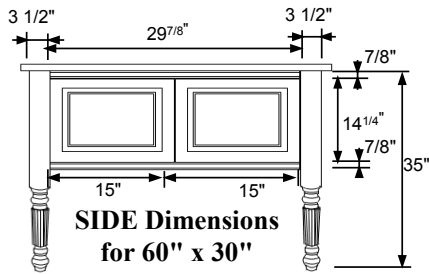
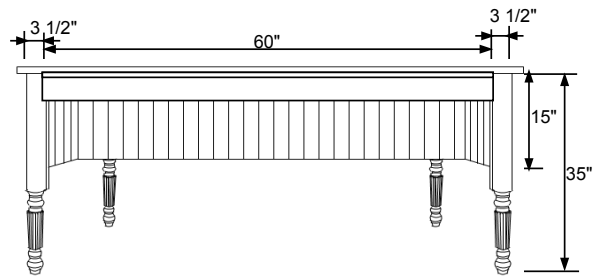
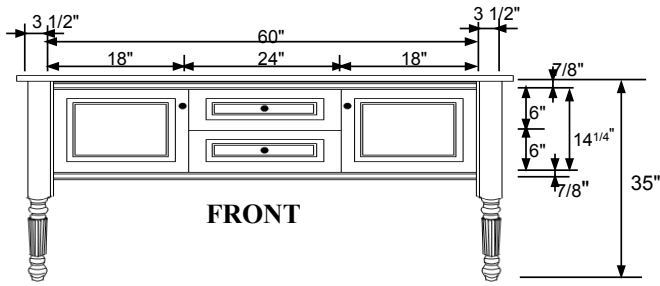
PT	Pilaster "Transitional" Single Sided	PET	Pilaster End "Transitional" Single Sided
<p>3/4" x 3/4" Clete</p> <p>"R" hand shown</p> <p>Box not Finished on top or bottom</p> <p><u>Actual Heights:</u> 30 = 30 9/16 36 = 36 42 = 41 7/8 48 = 48 54 = 54 60 = 60 84 = 84 90 = 90 96 = 96 102 = 102</p>	<p><u>Base (24 7/8" Deep)</u> PT033524L/R</p> <p><u>Wall- (12 7/8" Deep)</u> PT033012L/R PT033612L/R PT034212L/R PT034812L/R PT035412L/R PT036012L/R</p> <p><u>Wall- 15 7/8" Deep</u> PT034815L/R PT035415L/R PT036015L/R</p> <p><u>Tall- (12 7/8" Deep)</u> PT038412L/R PT039012L/R PT039612L/R PT0310212L/R</p> <p><u>Tall- (24 7/8" Deep)</u> PT038424L/R PT039024L/R PT039624L/R PT0310224L/R</p>	<p>2 1/4"</p> <p>3/4" x 3/4" Clete</p> <p>Optional Door Panel applied here</p> <p>"R" hand shown</p> <p>Box not Finished on top or bottom</p> <p><u>Actual Heights:</u> 30 = 30 9/16 36 = 36 42 = 41 7/8 48 = 48 54 = 54 60 = 60 84 = 84 90 = 90 96 = 96 102 = 102</p>	<p><u>Base (24 7/8" Deep)</u> PET033524L/R</p> <p><u>Wall- (12 7/8" Deep)</u> PET033012L/R PET033612L/R PET034212L/R PET034812L/R PET035412L/R PET036012L/R</p> <p><u>Wall- 15 7/8" Deep</u> PET034815L/R PET035415L/R PET036015L/R</p> <p><u>Tall- (12 7/8" Deep)</u> PET038412L/R PET039012L/R PET039612L/R PET0310212L/R</p> <p><u>Tall- (24 7/8" Deep)</u> PET038424L/R PET039024L/R PET039624L/R PET0310224L/R</p>

PT	Pilaster "Transitional" Double Sided	PET	Pilaster End "Transitional" Double Sided
<p>Box not Finished on top or bottom</p> <p><u>Actual Heights:</u> 30 = 30 9/16 36 = 36 42 = 41 7/8 48 = 48 54 = 54 60 = 60 84 = 84 90 = 90 96 = 96 102 = 102</p>	<p><u>Base (24 7/8" Deep)</u> PT033524</p> <p><u>Wall- (12 7/8" Deep)</u> PT033012 PT033612 PT034212 PT034812 PT035412 PT036012</p> <p><u>Wall- 15 7/8" Deep</u> PT034815 PT035415 PT036015</p> <p><u>Tall- (12 7/8" Deep)</u> PT038412 PT039012 PT039612 PT0310212</p> <p><u>Tall- (24 7/8" Deep)</u> PT038424 PT039024 PT039624 PT0310224</p>	<p>2 1/4"</p> <p>Optional Door Panel applied here</p> <p>Box not Finished on top or bottom</p> <p><u>Actual Heights:</u> 30 = 30 9/16 36 = 36 42 = 41 7/8 48 = 48 54 = 54 60 = 60 84 = 84 90 = 90 96 = 96 102 = 102</p>	<p><u>Base (24 7/8" Deep)</u> PET033524</p> <p><u>Wall- (12 7/8" Deep)</u> PET033012 PET033612 PET034212 PET034812 PET035412 PET036012</p> <p><u>Wall- 15 7/8" Deep</u> PET034815 PET035415 PET036015</p> <p><u>Tall- (12 7/8" Deep)</u> PET038412 PET039012 PET039612 PET0310212</p> <p><u>Tall- (24 7/8" Deep)</u> PET038424 PET039024 PET039624 PET0310224</p>

RECOMMENDATION:

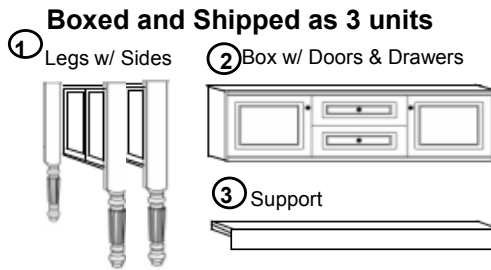
- On 12" Deep PES/PET columns order overlay door as: 9 3/4" depth
 - On 15" Deep PES/PET columns order overlay door as: 12 3/4" depth
 - On 24" Deep PES/PET columns order overlay door as: 21 3/4" depth
- Height of overlay door must match height of adjacent cabinet

Island Table : 60" Wide - 30" Deep , 60" Wide - 36" Deep



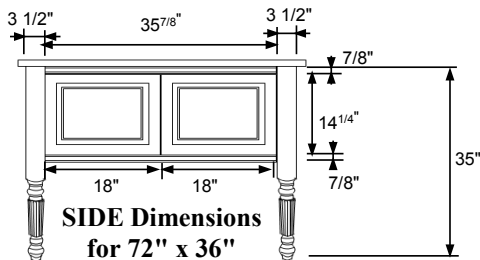
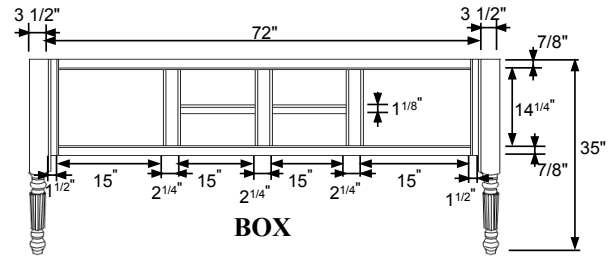
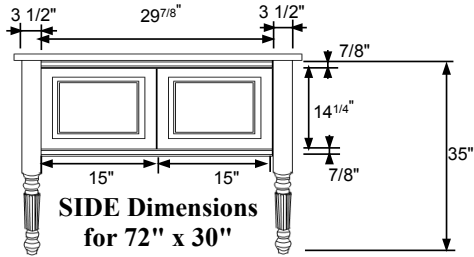
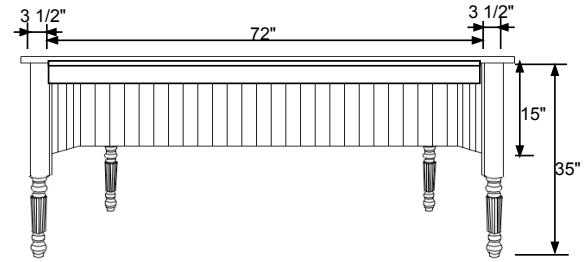
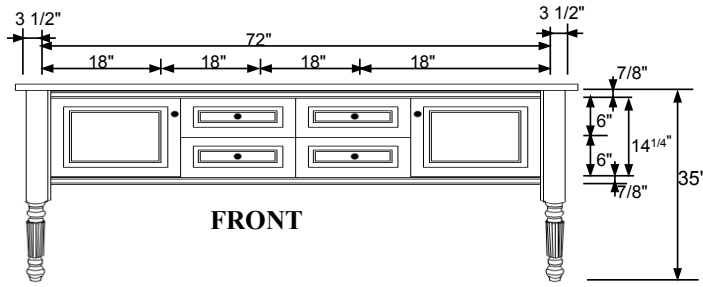
Available in VHS Only

Dimensions		Front Face Doors & Drawers	Side Door Panels	Minimal Top Dimensions
Box	Overall			
60" X 30"	67" X 37"	2 - DR1815 2 - DH2406	4 - DR1515	70" X 40"
60" X 36"	67" X 43"	2 - DR1815 2 - DH2406	4 - DR1815	70" X 46"



**For countertops-
Island Table must be templated on job site!!!**

Island Table : 72" Wide - 30" Deep , 72" Wide - 36" Deep



Available in VHS Only

Dimensions		Front Face Doors & Drawers	Side Door Panels	Minimal Top Dimensions
Box	Overall			
72" X 30"	79" X 37"	2 - DR1815 4 - DH1806	4 - DR1515	82" X 40"
72" X 36"	79" X 43"	2 - DR1815 4 - DH1806	4 - DR1815	82" X 46"



*For countertops-
Island Table must be templated on job site!!!*

Boxed and Shipped as 3 units

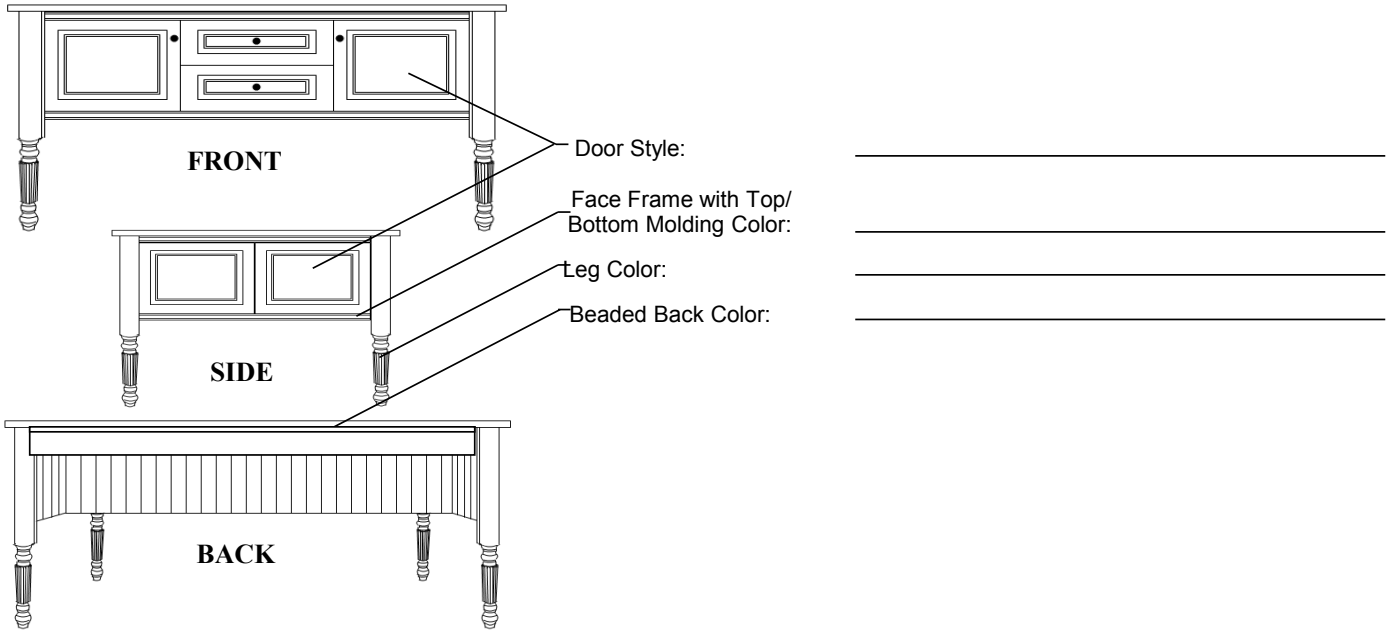
- ① Legs w/ Sides
- ② Box w/ Doors & Drawers
- ③ Support

Island Table Order Form

Order Number: _____ Builder Name: _____
 Project: _____ Lot #: _____

Island Table: _____

Available in VHS only!



Important Information:

Dimensions		Front Face Doors & Drawers	Side Door Panels	Minimal Top Dimensions	Picture
Box	Overall				
60" X 30"	67" X 37"	2 - DR1815 & 2 - DH2406	4 - DR1515	70" X 40"	
60" X 36"	67" X 43"	2 - DR1815 & 2 - DH2406	4 - DR1815	70" X 46"	
72" X 30"	79" X 37"	2 - DR1815 & 4 - DH1806	4 - DR1515	82" X 40"	
72" X 36"	79" X 43"	2 - DR1815 & 4 - DH1806	4 - DR1815	82" X 46"	

Note: For more detailed information, refer to the Specifications Book.

For countertops - Island Table must be templated on job site!!!

